

PUBLIC BUILDING COMMISSION OF CHICAGO

ADDENDUM NO. 4 TO PROJECT NO. 05680

For

John C. Coonley Elementary School Addition

DATE: November 27, 2013

NOTICE OF CHANGES IN CONTRACT DOCUMENTS

The following changes are hereby made in the Contract Documents. This Addendum forms part of the Contract Documents for the above named project and contains the following:

Changes to Book 1: PROJECT INFORMATION, INSTRUCTIONS TO BIDDERS, AND EXECUTION DOCUMENTS:

Changes to Book 3: TECHNICAL SPECIFICATIONS:

Book 3 Volume 1

Changes to DRAWINGS:

Sheet A8.5 Plan Detail 4/A8.4
 Plan Detail 5/A8.5

Sheet A9.1

Sheet A12.0 **CLARIFICATION:**

CLARIFICATION: DELETE: Keynote 2.18. **INSERT:** Keynote 2.19.

CLARIFICATION: DELETE: Keynote 2.18. **INSERT:** Keynote 2.19.

INSERT: Wall type 6. Per attached sketch ADD4-S6A9.1

See attached sheet for bubbled changes reflected on the Sheet A12.0 issued in Addenda 3.

List of Attachments:

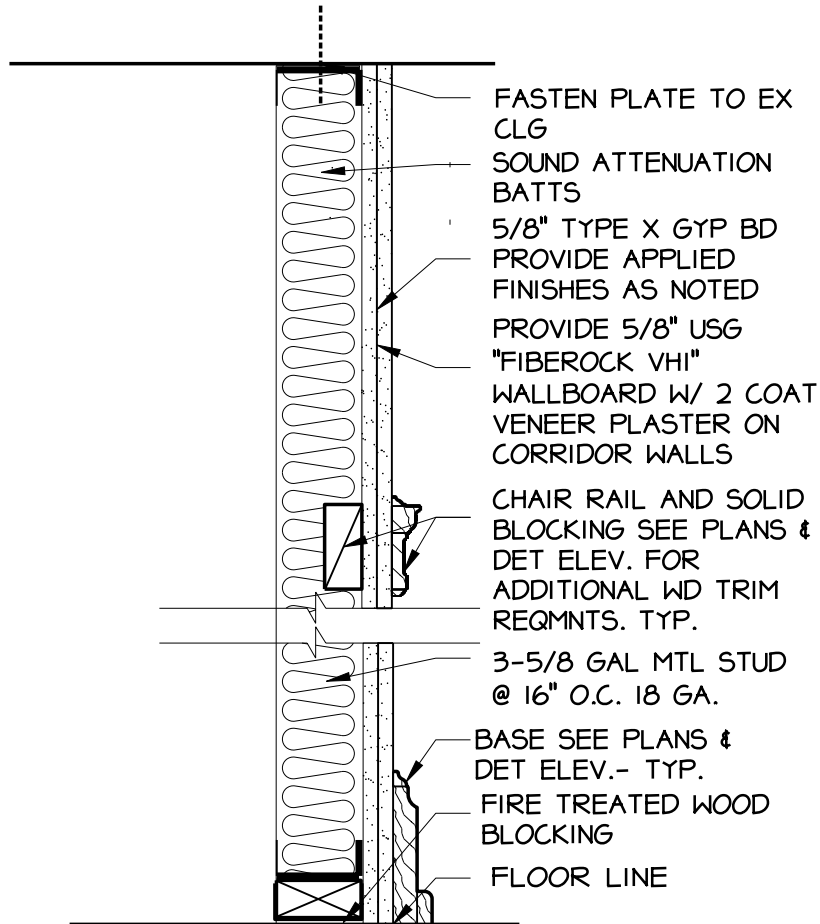
SPECIFICATIONS:

DRAWINGS:

Sheet A12.0

ADD4-S6A9.1

END OF ADDENDUM NO.4



UL #U412, 2 HR, STC 44



PARTITION TYPE

NOT TO SCALE



JOHN C. COONLEY
ELEMENTARY SCHOOL
4046 N. LEAVITT STREET
CHICAGO ILLINOIS 60618

PBC Project No: 05680

SWWB Ltd., Architects
4640 N Francisco Ave.
Chicago, IL 60625
Tel: (312) 236-0528
Fax: (312) 564-4016

date: 11/27/13
project no: 13-267
sheet no:

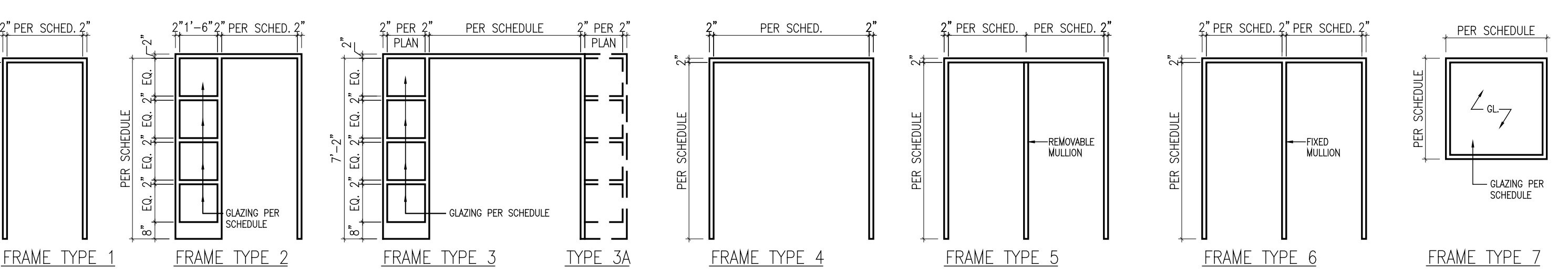
ADD4-S6/A9.1

SCHEDULE INFORMATION AND NOTES

Section 1: SCHEDULE INFORMATION AND NOTES. Includes subsections for TYPE FRAME DETAIL - DOOR NOTES, FINISH HARDWARE GENERAL NOTES, and ABBREVIATIONS.

Table with 2 columns: WALL RATING + OPENING LABEL, 517 FIRELITE PLUS CERAMIC PRE-FRATED GLAZING. Rows include 1-HR / 3/4 and 2-HR / 1-1/2 with corresponding square foot ratings.

Table with 2 columns: GLAZING LABEL, DESCRIPTION. Includes items G1 through G7 describing various glass types like 1/4" CLEAR TEMPERED GLASS ASSEMBLY, INSULATED EXTERIOR GLASS ASSEMBLY, etc.

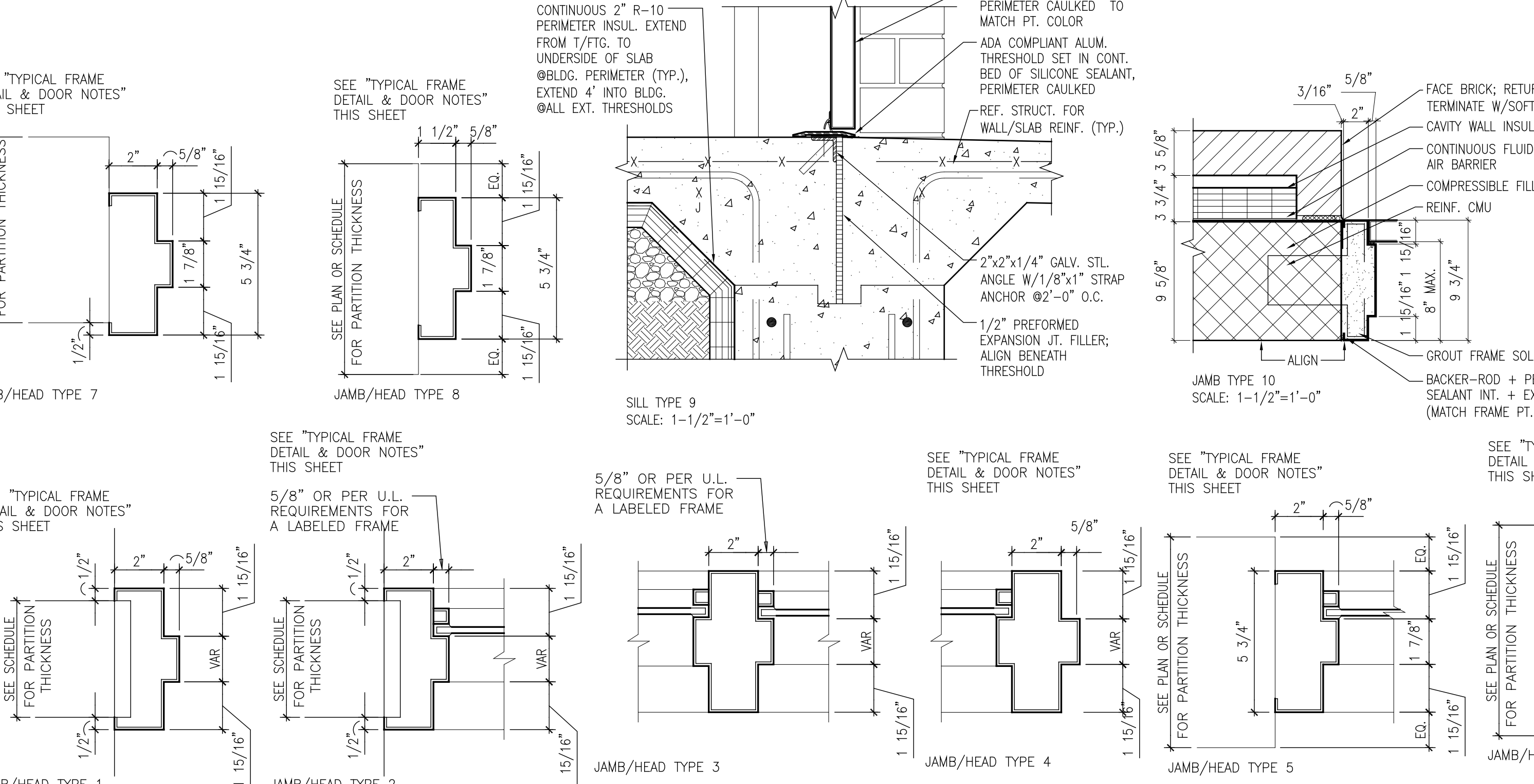
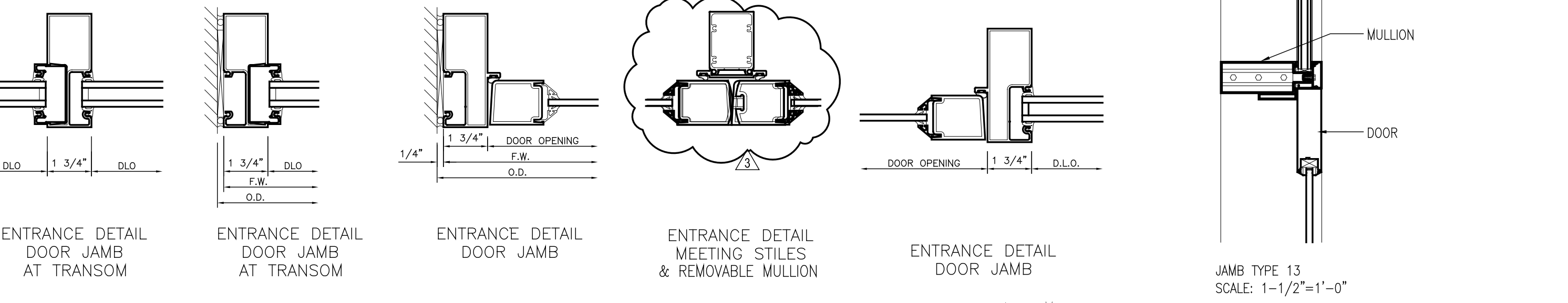


FRAME TYPES

A12.0 SCALE: 1/4" = 1'-0"

DOOR TYPES

A12.0 SCALE: 1/4" = 1'-0"



JAMB/HEAD & SILL TYPES

A12.0 SCALE: 3/8" = 1'-0"

DOOR AND INTERIOR OPENING SCHEDULE

Table listing door and interior opening specifications for the second floor, including opening dimensions, materials, and hardware.

Table listing door and interior opening specifications for the first floor, including opening dimensions, materials, and hardware.

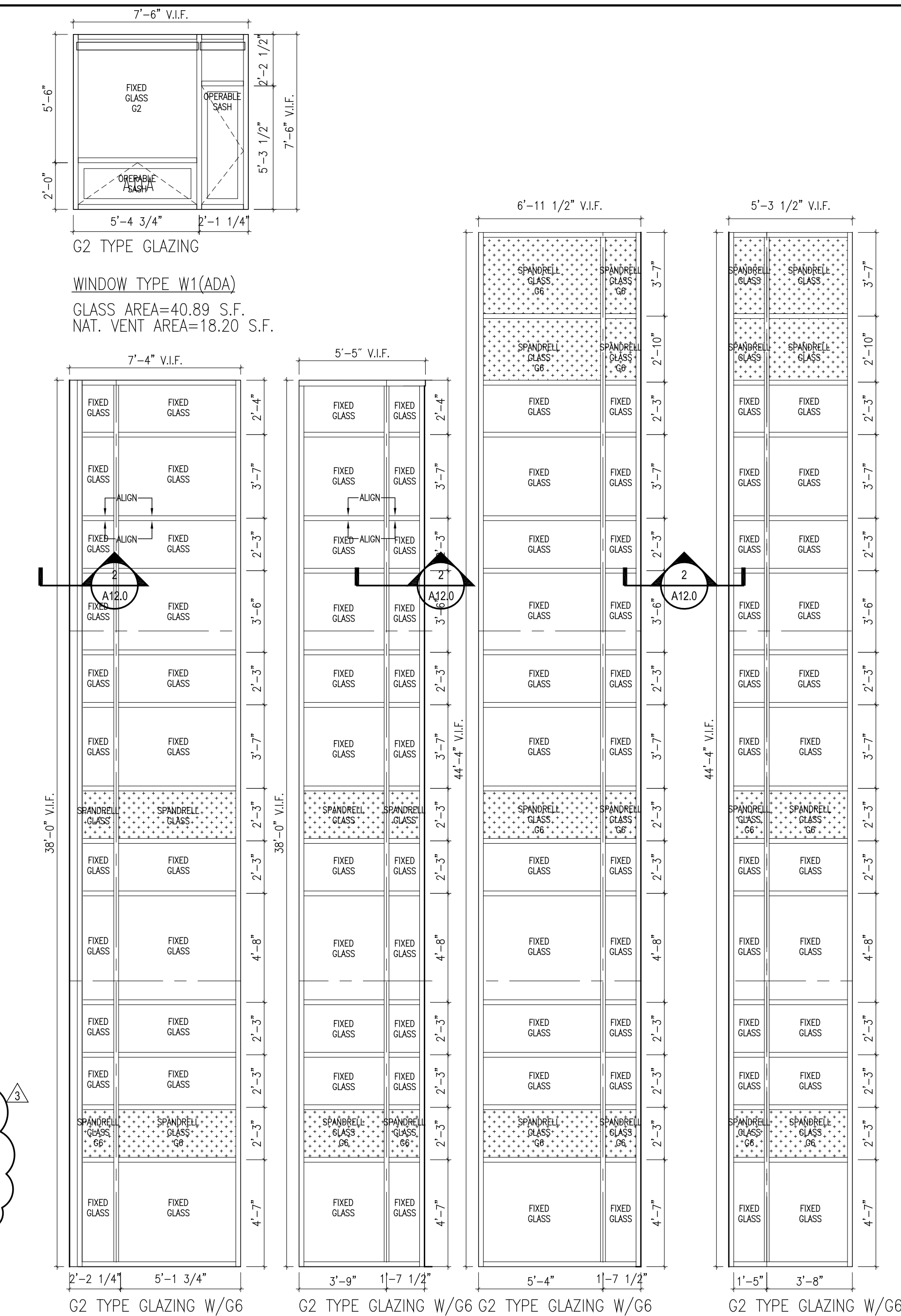
Table listing door and interior opening specifications for the third floor, including opening dimensions, materials, and hardware.

Table listing door and interior opening specifications for the main floor, including opening dimensions, materials, and hardware.

Table with 4 columns: WINDOW SCHEDULE, MASONRY OPNG., TYPE, MAT. Lists window types W1 through W7.

Table with 4 columns: LOUVER SCHEDULE, MASONRY OPNG., TYPE, MAT. Lists louver types LV1 through LV3.

NOTE: VERIFY W/ WINDOW MANUFACTURER IF INTERMEDIATE HORIZONTAL BRACKING IS REQUIRED AND PROFIT NECESSARY FOR RECEIVING BRACKING ASSEMBLIES.



Logo for Chicago Public Schools, Building Schools Across Chicago, and Chicago Public Schools logo.

COONLEY ELEMENTARY SCHOOL 4046 NORTH LEAVITT STREET CHICAGO, IL 60618 CHICAGO PUBLIC SCHOOLS CITY OF CHICAGO, MAYOR RAHM EMMANUEL

SWWB LTD., Architects 4640 N Francisco Ave. Chicago, IL 60625 Tel: (312) 236-0528 Fax: (312) 564-4016

ARCHITECT OF RECORD SMNG-A Schroeder Murchie Niemiec Gazda-Auskalns Architects Ltd. PBC Elementary School Design Architect

- Stearn - Joglekar, Ltd. Terra Engineering, Ltd. Altamano, Inc. Melvin Cohen & Assoc. HJ Kessler Associates Shiner + Assoc., Inc. MVP Services Group, Inc. Vistra Const. Services

Table with 3 columns: Issuance, Mark, Description, Date. Lists revision history for the drawing.