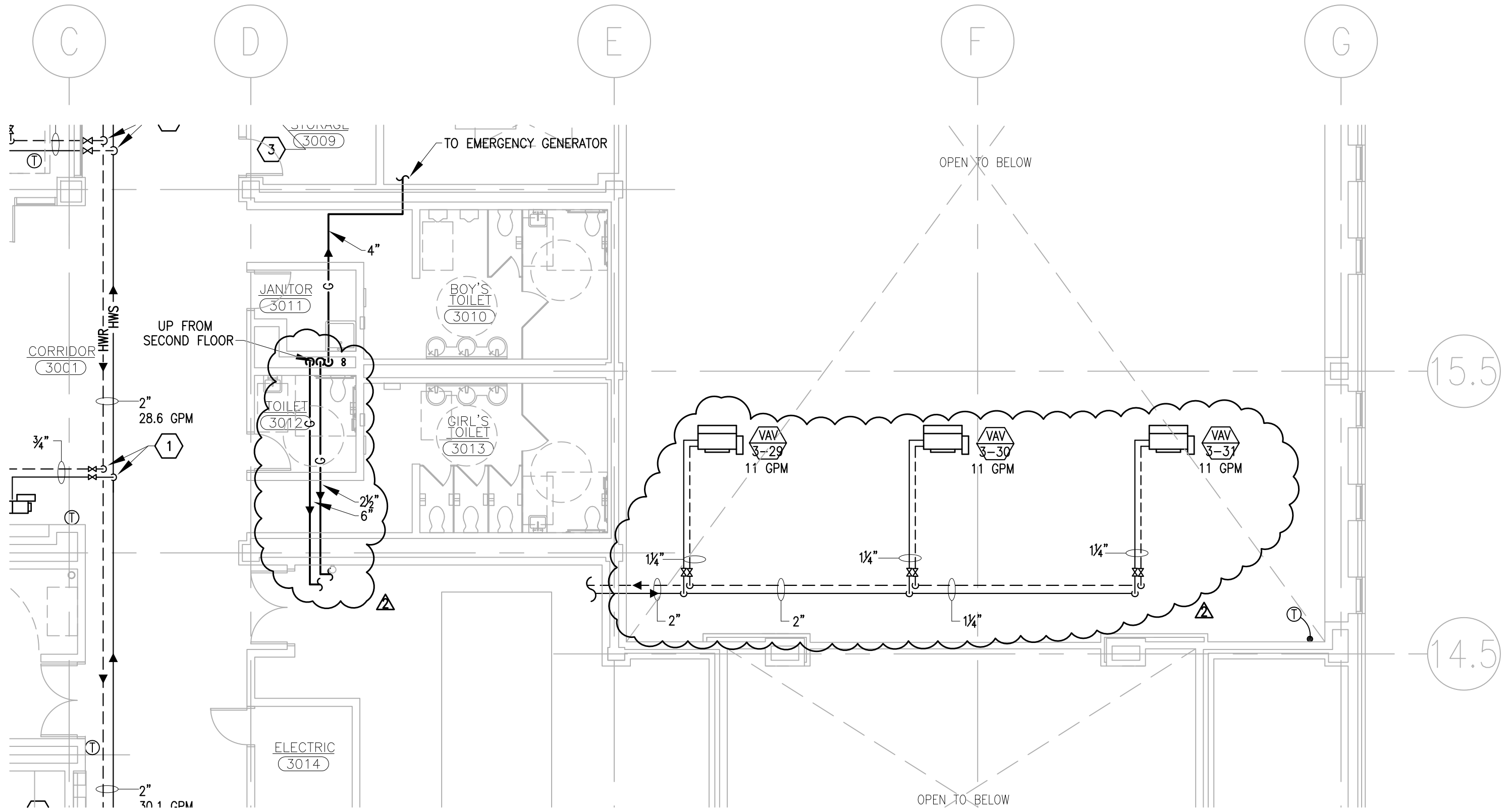


**POWELL REPLACEMENT
ELEMENTARY SCHOOL**
7511 S. SHORE DRIVE
CHICAGO, IL 60649



InterActive Design DATE: 05/05/09
 308 W. Erie Street, Suite 506
 Chicago, Illinois 60654
 P: 312-482-8866 F: 312-482-9904
 SHEET REFERENCE: M1.9
 SKETCH NUMBER: **MSK-001**



**POWELL REPLACEMENT
ELEMENTARY SCHOOL**
7511 S. SHORE DRIVE
CHICAGO, IL 60649



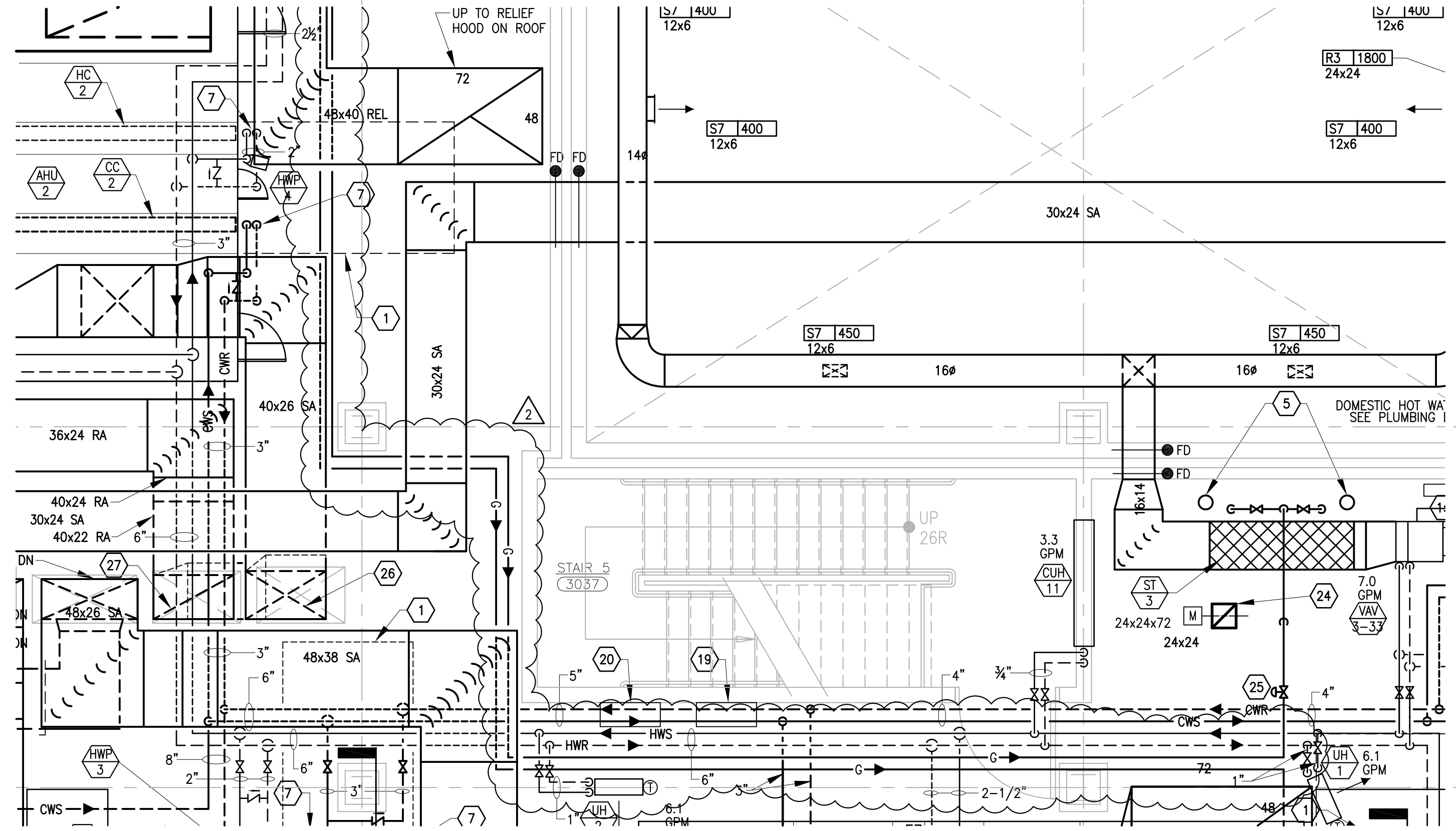
InterActive Design
308 W. Erie Street, Suite 506
Chicago, Illinois 60654
P: 312-482-8866 F: 312-482-9904

DATE: 05/05/09
SHEET REFERENCE: M1.13
SKETCH NUMBER: **MSK-002**



E

F



13

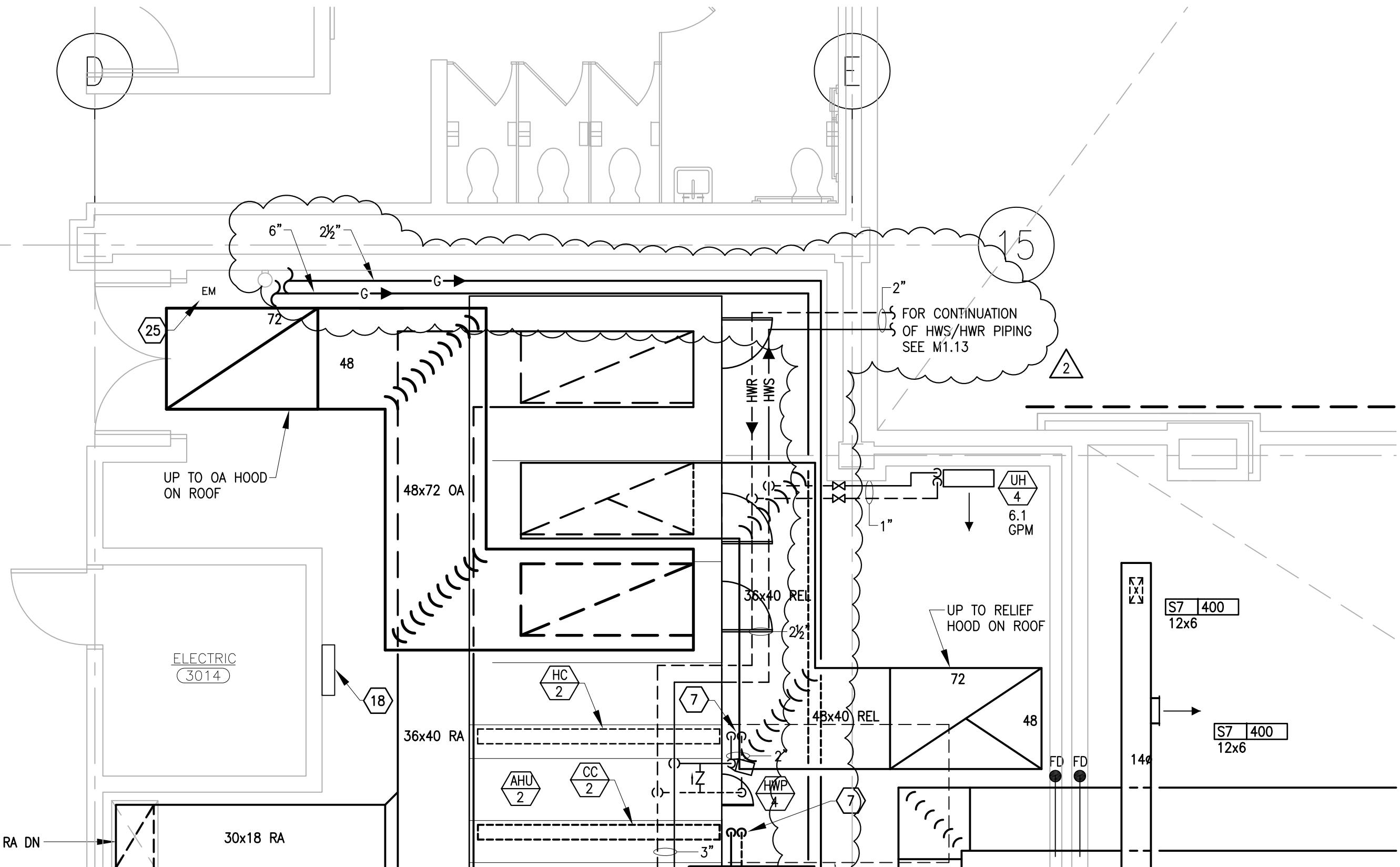
12



**POWELL REPLACEMENT
ELEMENTARY SCHOOL**
7511 S. SHORE DRIVE
CHICAGO, IL 60649



InterActive Design DATE: 05/05/09
 308 W. Erie Street, Suite 506
 Chicago, Illinois 60654
 P: 312-482-8866 F: 312-482-9904
 SHEET REFERENCE: M4.2
 SKETCH NUMBER: **MSK-003**

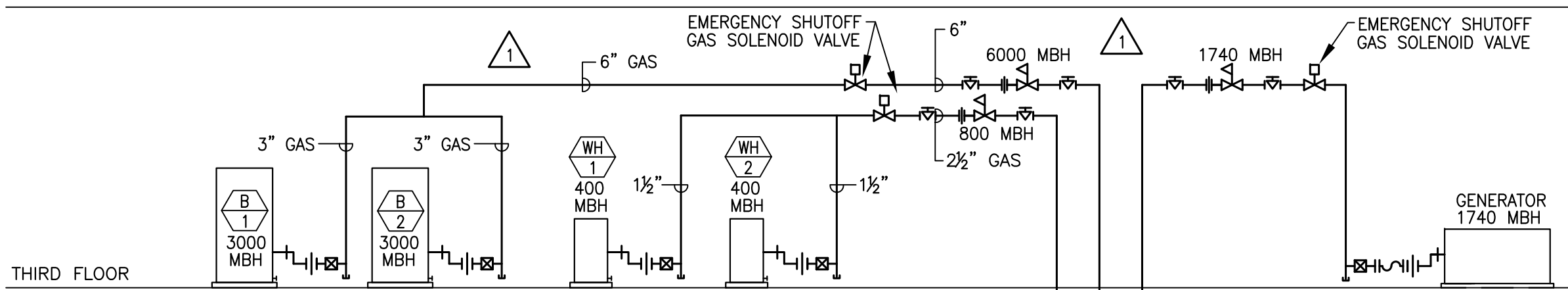


**POWELL REPLACEMENT
ELEMENTARY SCHOOL**
7511 S. SHORE DRIVE
CHICAGO, IL 60649

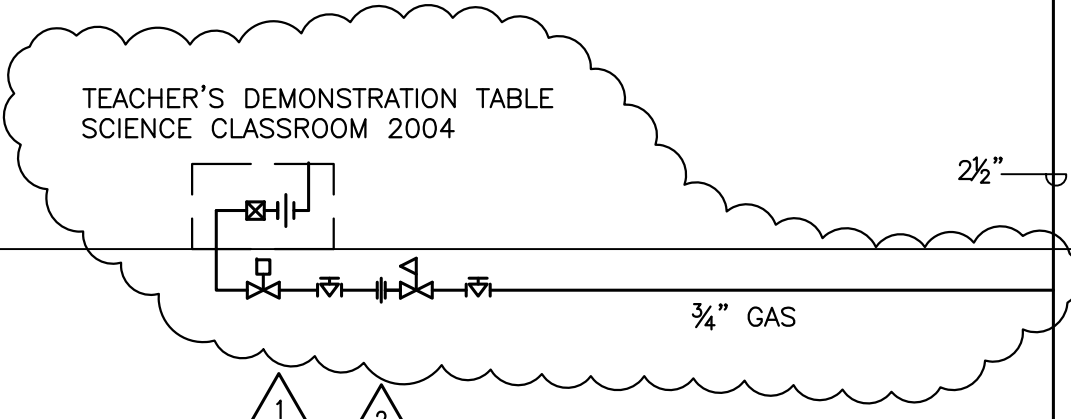


InterActive Design DATE: 05/05/09
 308 W. Erie Street, Suite 506
 Chicago, Illinois 60654
 P: 312-482-8866 F: 312-482-9904
 SHEET REFERENCE: M4.2
 SKETCH NUMBER: **MSK-004**

ROOF

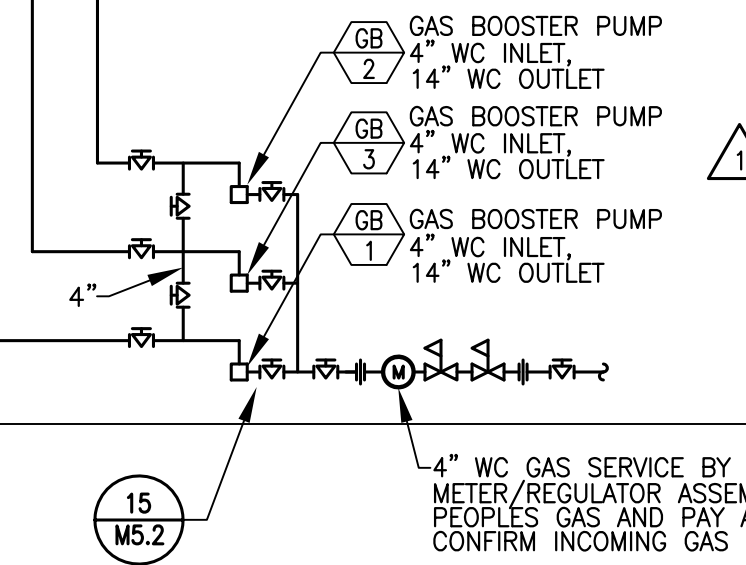


THIRD FLOOR



SECOND FLOOR

FIRST FLOOR



1
M5.5 NTS

GAS RISER DIAGRAM



**POWELL REPLACEMENT
ELEMENTARY SCHOOL**
7511 S. SHORE DRIVE
CHICAGO, IL 60649



InterActive Design DATE: 05/05/09
308 W. Erie Street, Suite 506
Chicago, Illinois 60654
P: 312-482-8866 F: 312-482-9904
SHEET REFERENCE: M5.5
SKETCH NUMBER: **MSK-005**