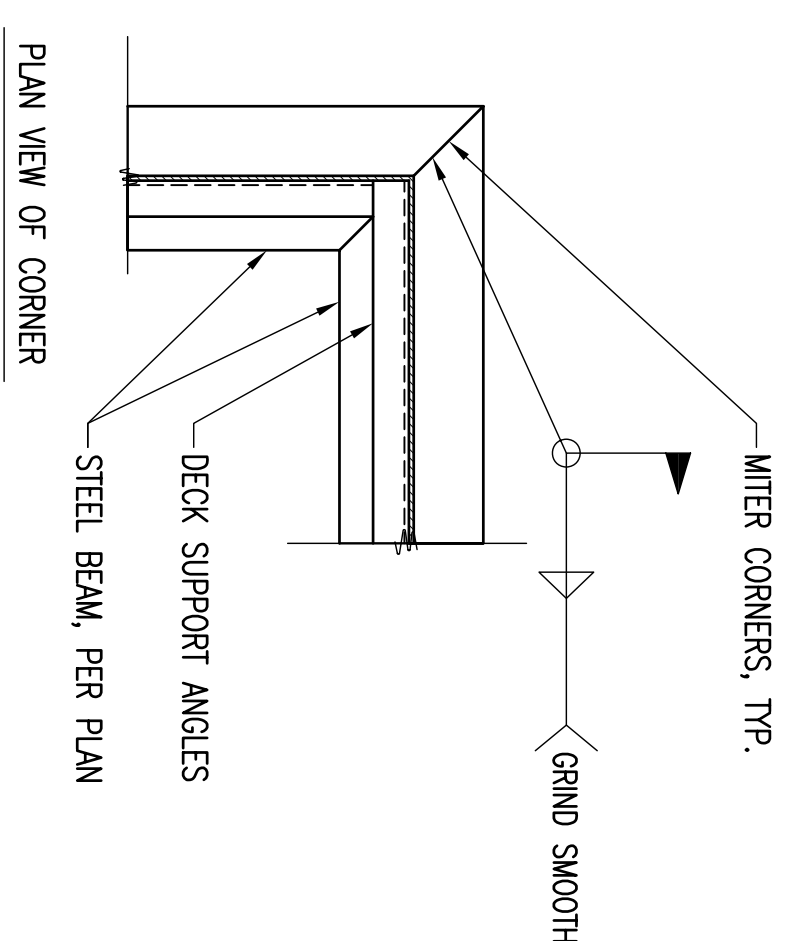
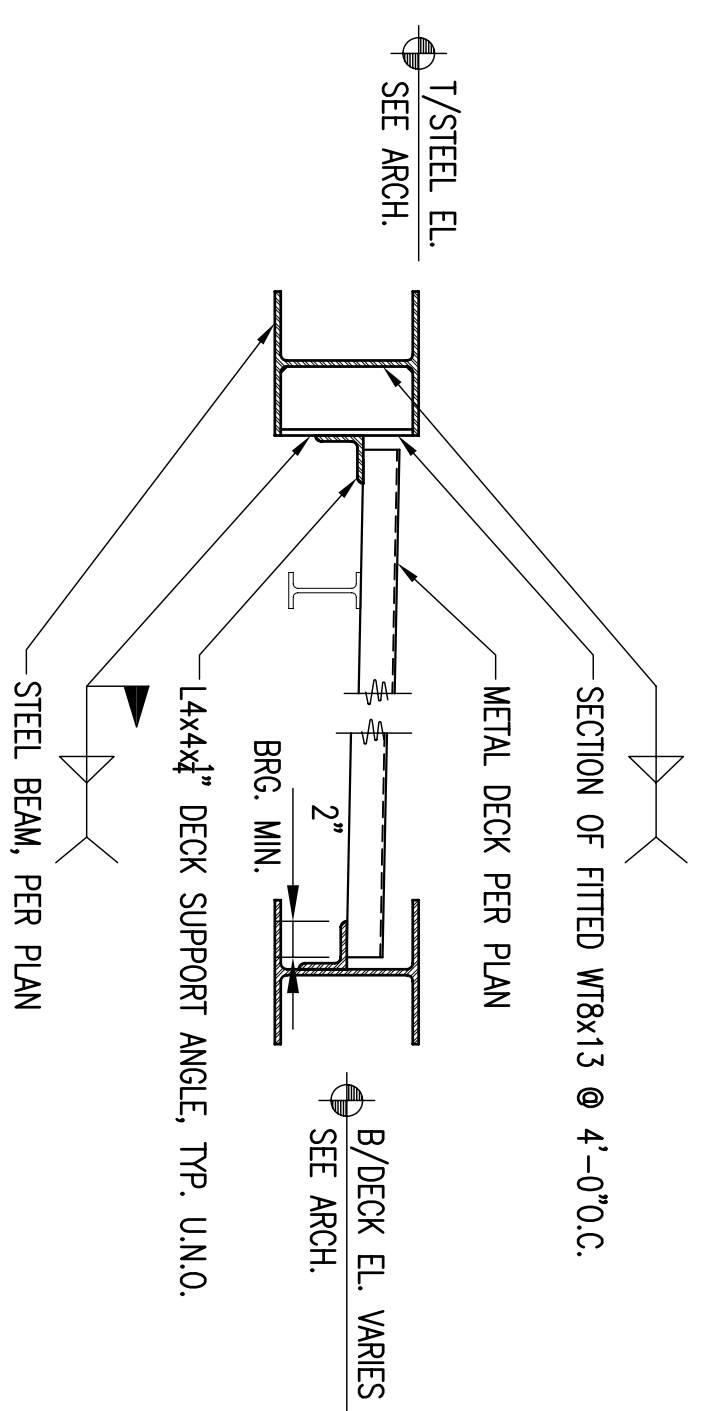


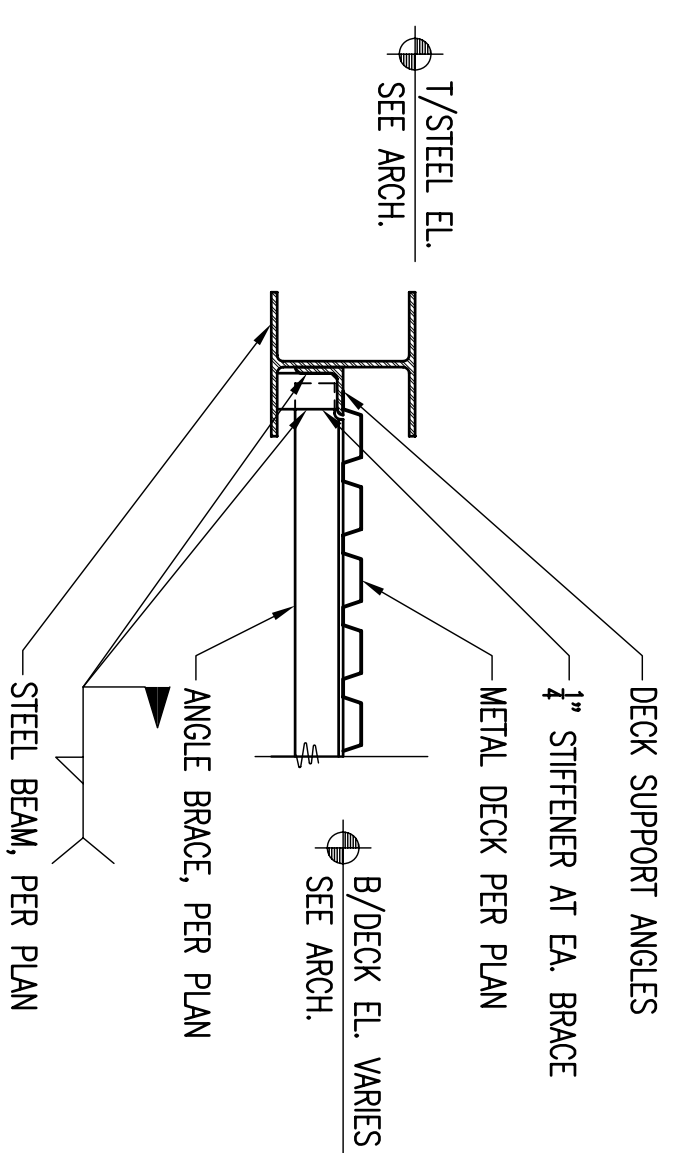
1 CANOPY EDGE BEAM DETAIL
SS01 3/4"=1'-0"



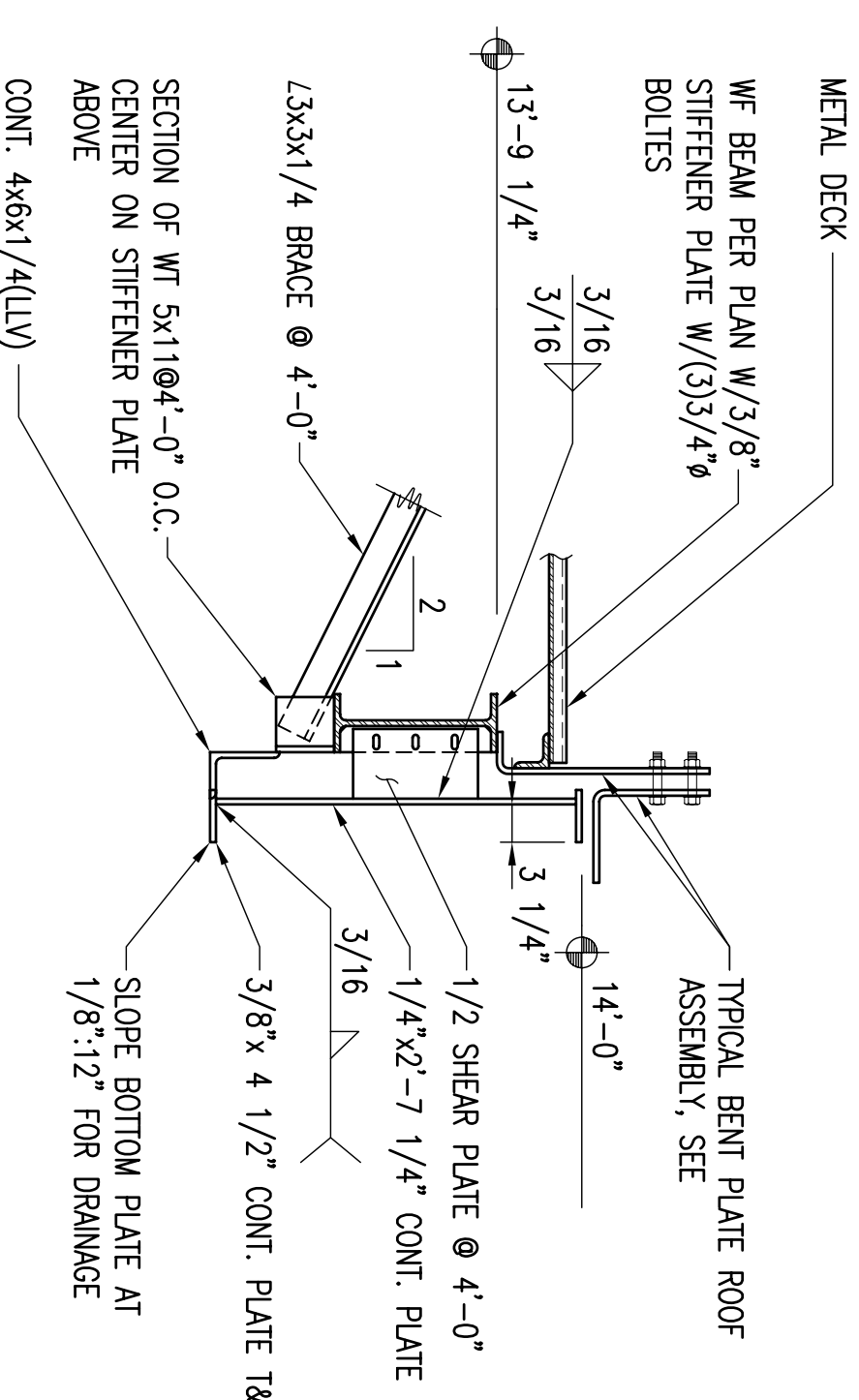
2 TYPICAL CANOPY CORNER DETAIL
SS01 3/4"=1'-0"



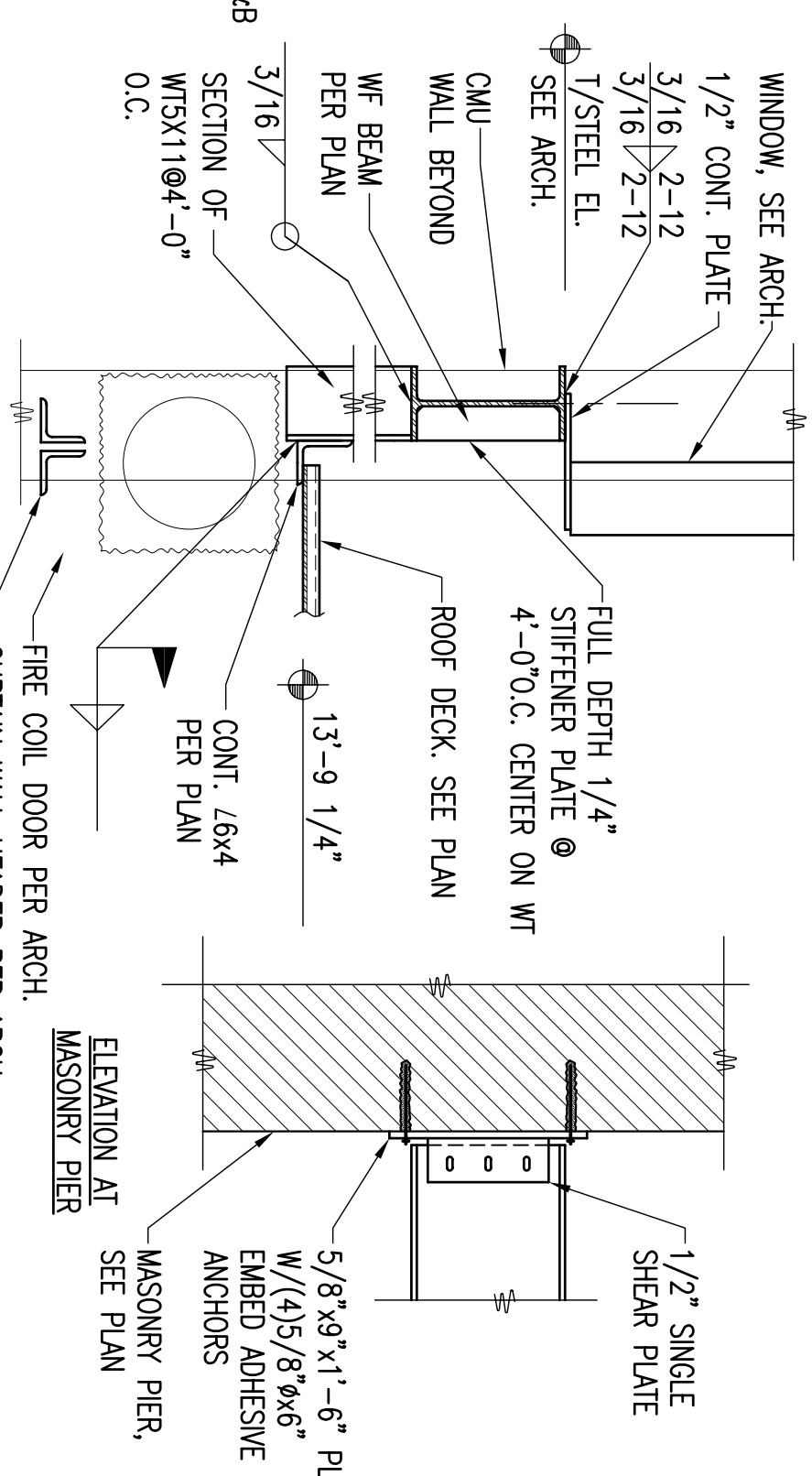
3 TYPICAL ANGLE BRACE AT CANOPY
SS01 3/4"=1'-0"



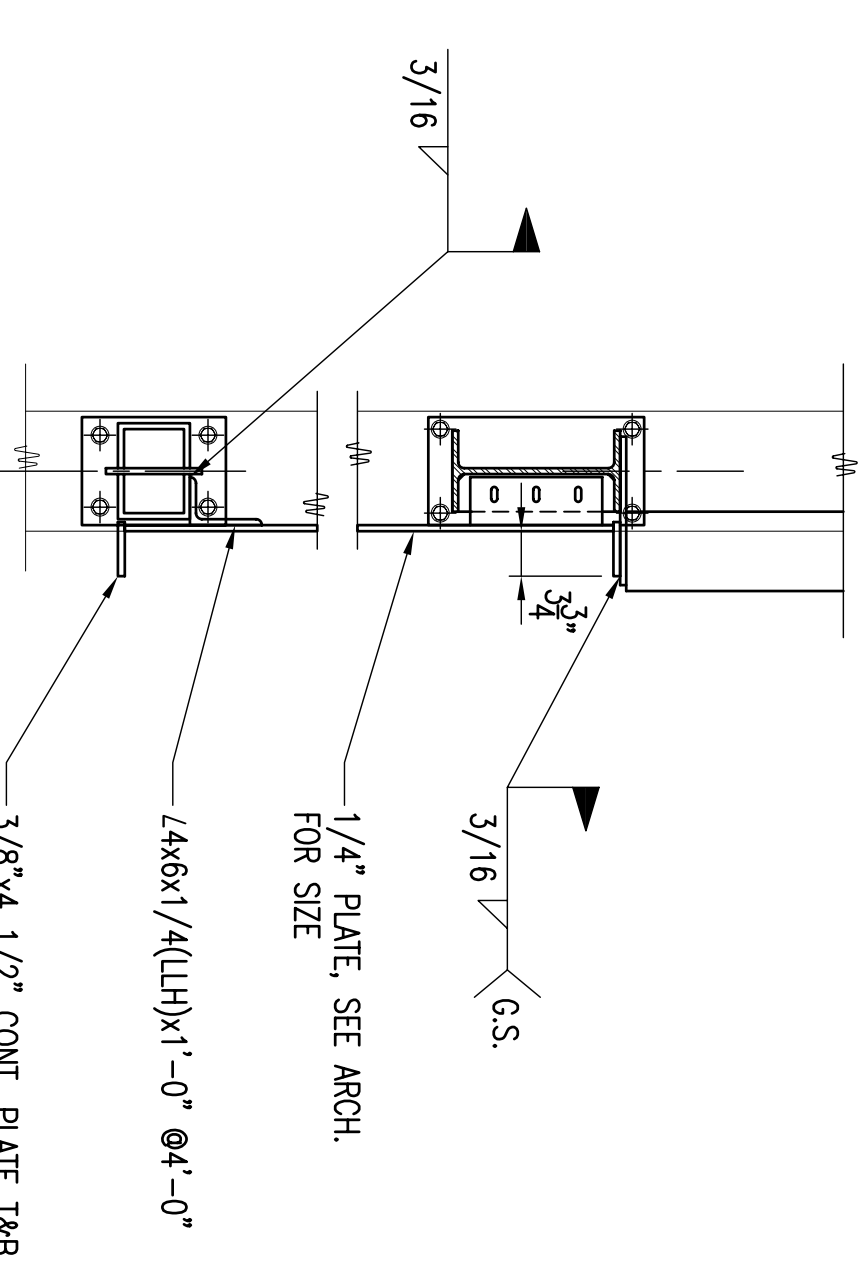
4 CANOPY EDGE BEAM DETAIL
SS01 3/4"=1'-0"



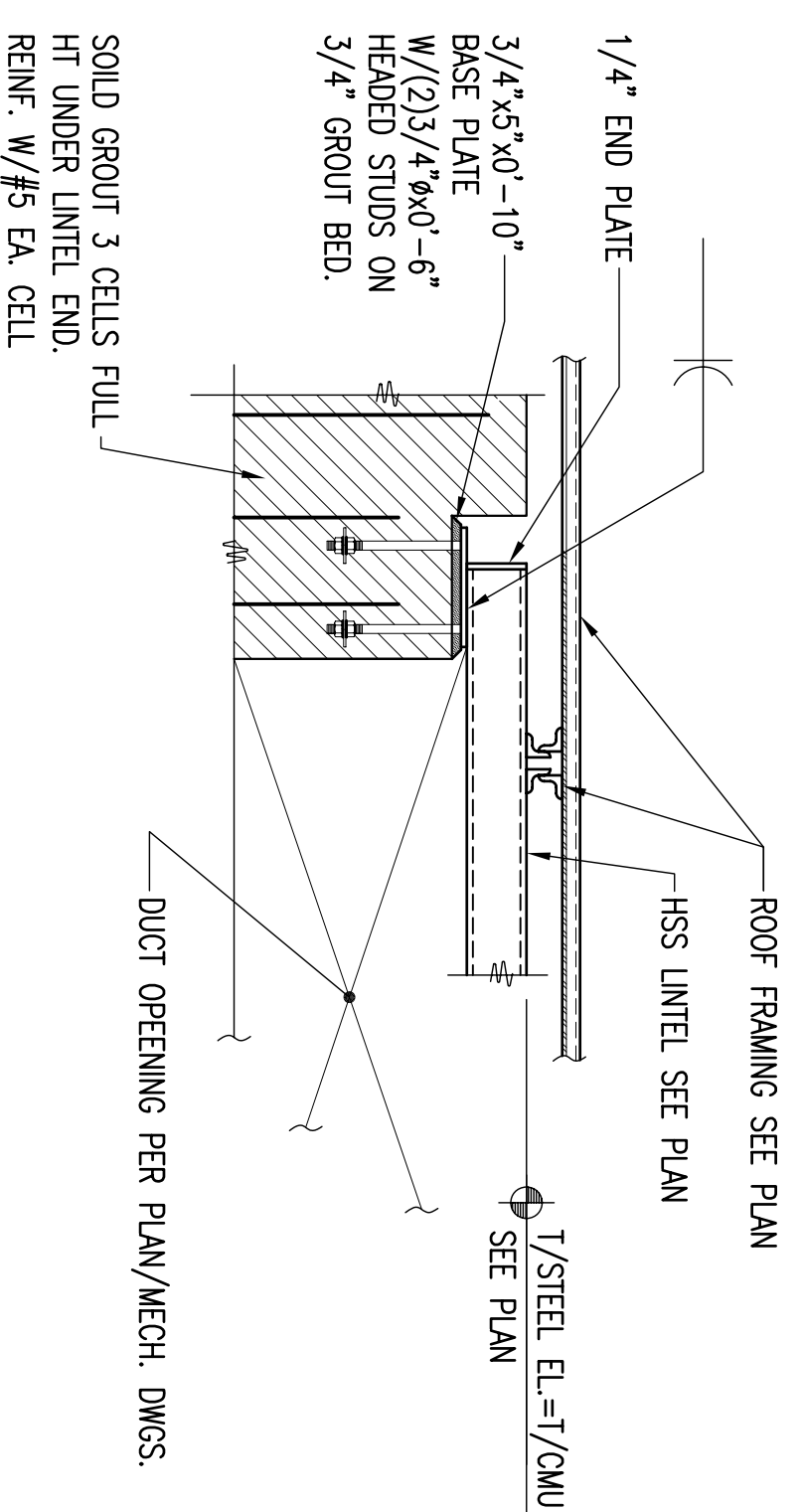
5 TYPICAL CANOPY DECK SUPPORT SECTION
SS01 3/4"=1'-0"



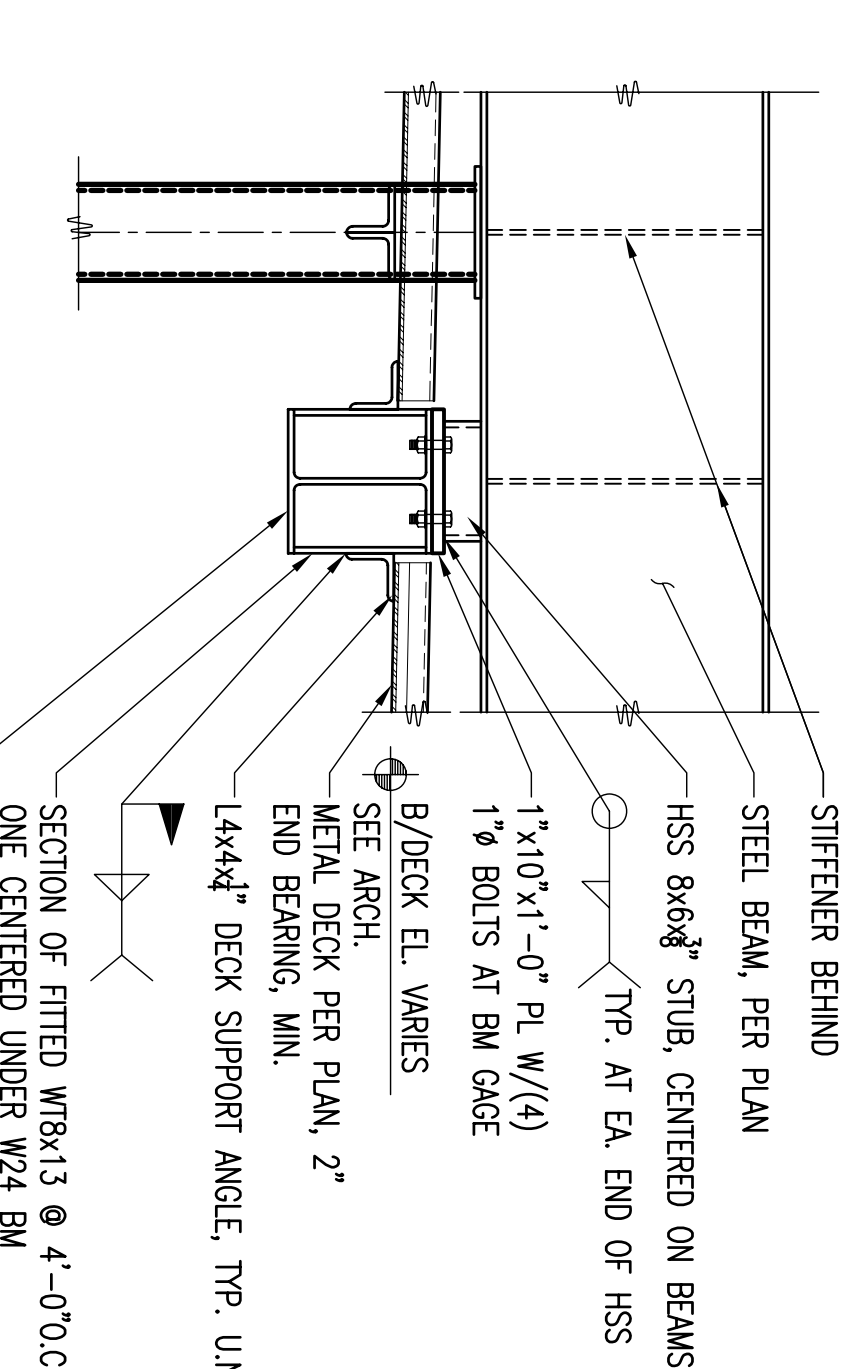
6 ELEVATION AT 1'4" LINTEL
SS01 3/4"=1'-0"



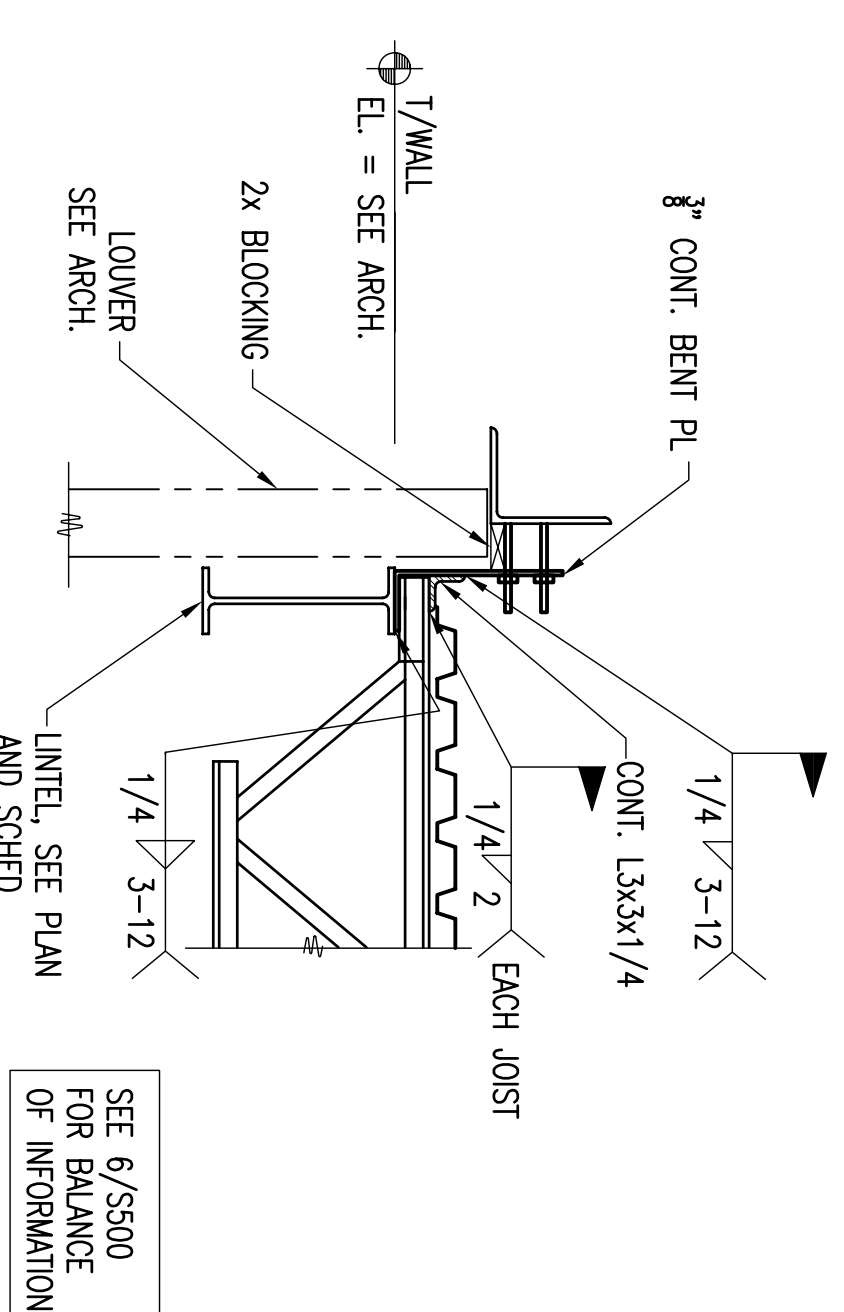
7 SECTION AT REAR ENTRANCE LINTEL
SS01 3/4"=1'-0"



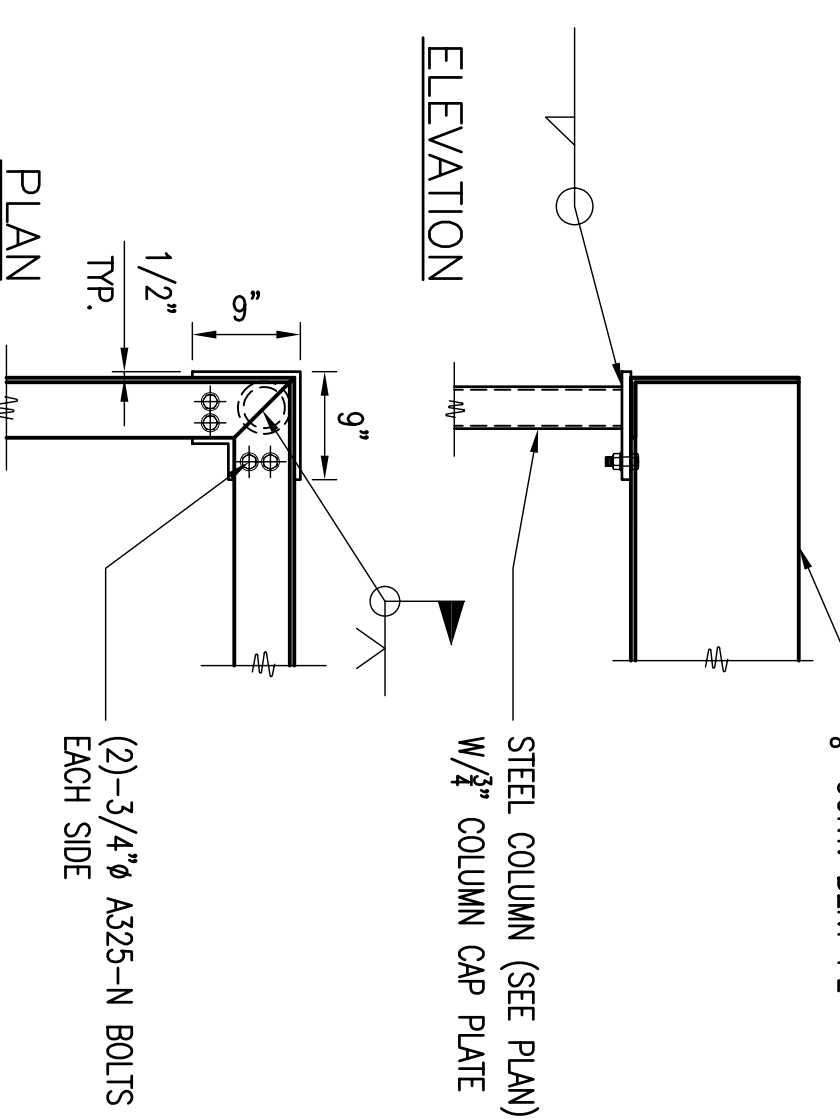
8 SECTION AT FRONT ENTRY ROOF
SS01 3/4"=1'-0"



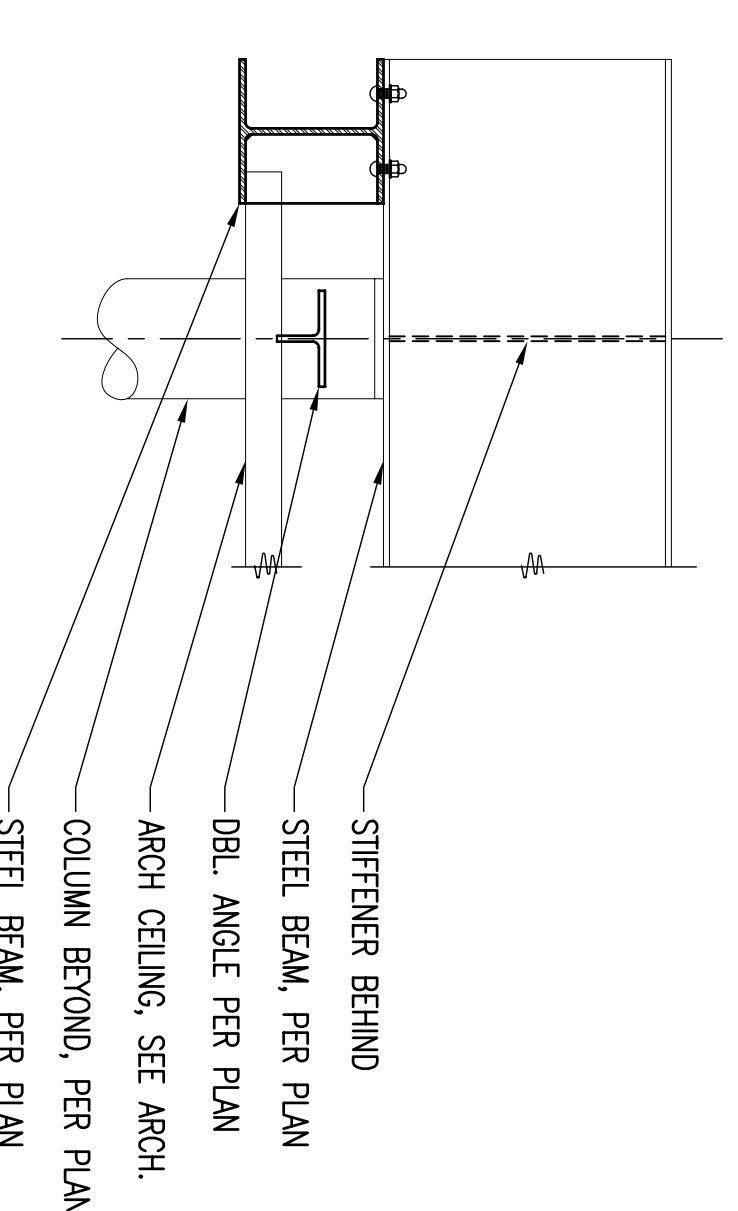
9 CANOPY EDGE BEAM DETAIL
SS01 3/4"=1'-0"



10 LINTEL DETAIL AT LOUVER OPENING
SS01 3/4"=1'-0"



11 CONT. PLATE TO CORNER COLUMN DETAIL
SS01 3/4"=1'-0"



12 SECTION AT FIREDOOR/LOW ROOF
SS01 3/4"=1'-0"



CHICAGO PARK DISTRICT
541 NORTH PARBANKS
CHICAGO, ILLINOIS 60611

BOOTH HANSEN
Architectural - Interior - Planning
333 South Dear Pines Street
Chicago, Illinois 60681

MATRIX
300 North LaSalle Street
Chicago, Illinois 60610
Tel: 312.467.2000
Fax: 312.467.2001
www.matrixinc.com

ISSUED FOR ADDED/REVISED #1	08/27/09
ISSUED FOR BID	08/05/09
ISSUED FOR CONST. DOCUMENTS 100%	07/22/09
ISSUED FOR CONST. DOCUMENTS 90%	06/28/09
ISSUED FOR CONST. DOCUMENTS 60%	06/05/09
ISSUED FOR DESIGN	05/15/09
ISSUED FOR SCHEMATIC DESIGN	03/19/09
REVISIONS DATE	

PROJECT NUMBER	
PROJECT NAME	
DESIGNER/ENGINEER	
PREL. MGR.	GM
DESIGNER	JMB
DRAWN	MB
CHECKED	JMB
SCALE	AS NOTED
DATE	AUGUST, 2009
SPEC. NO.	XXXX-XX
MCC. JOB NO.	00009.00
SHEET INFORMATION	



Chicago Park District - Fieldhouse
WALTER FOREST PARK
7700 North Paulina Street
CHICAGO, IL 60630

PARK NO./PROJECT NO.
BH#0824.00 MEC#09009
STEEL DETAILS
DRAWING NO. **SS01**