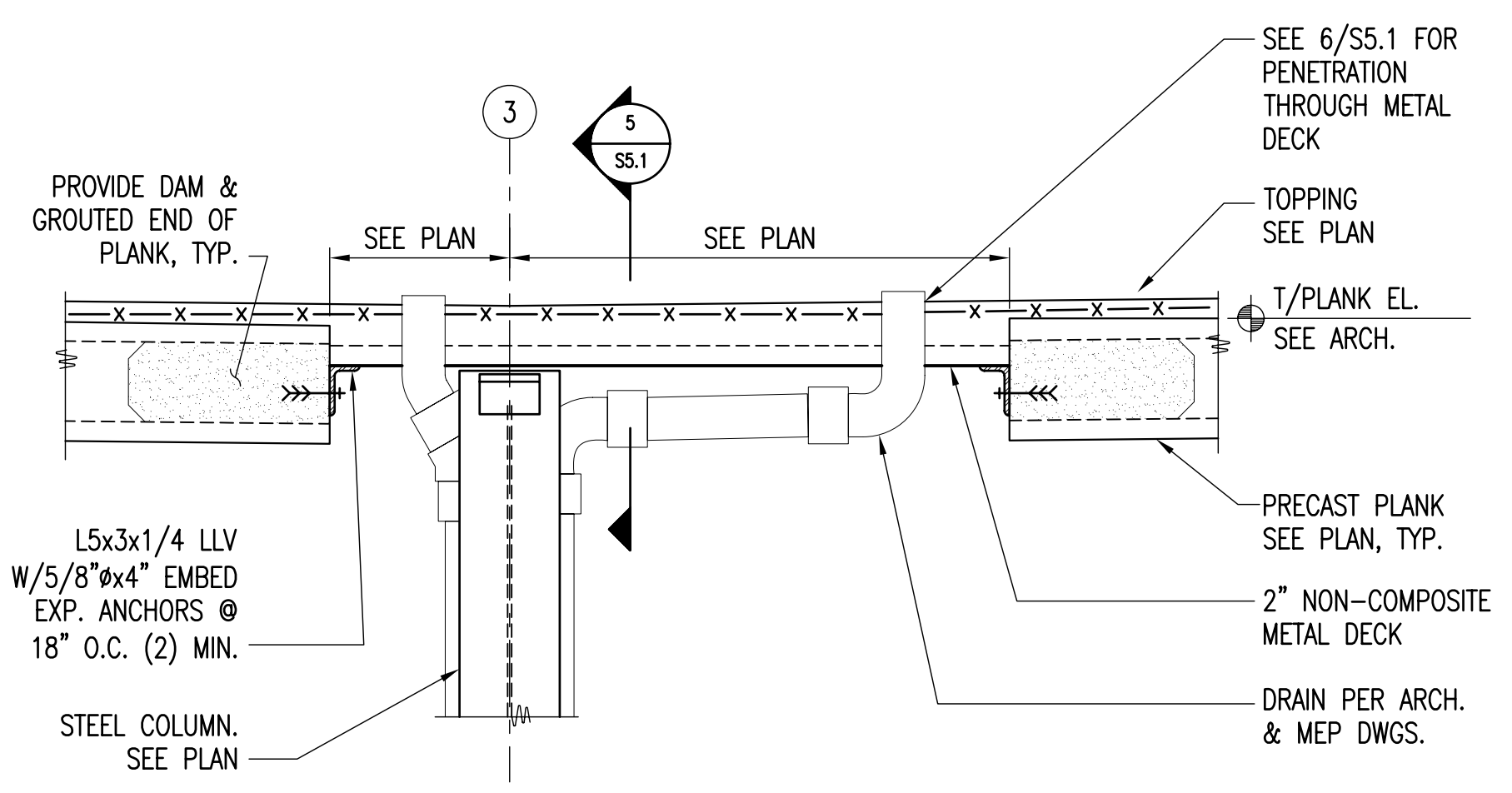
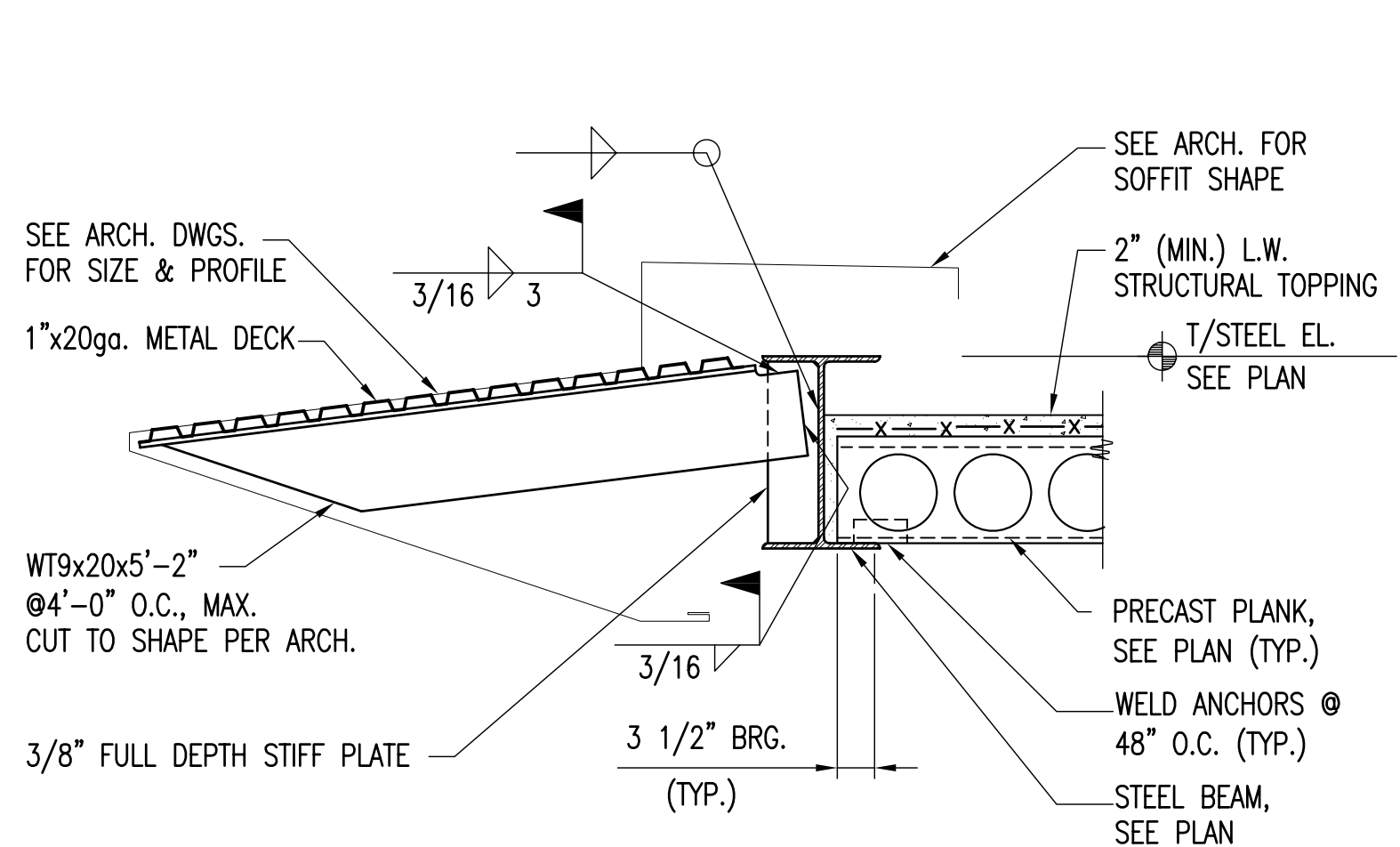


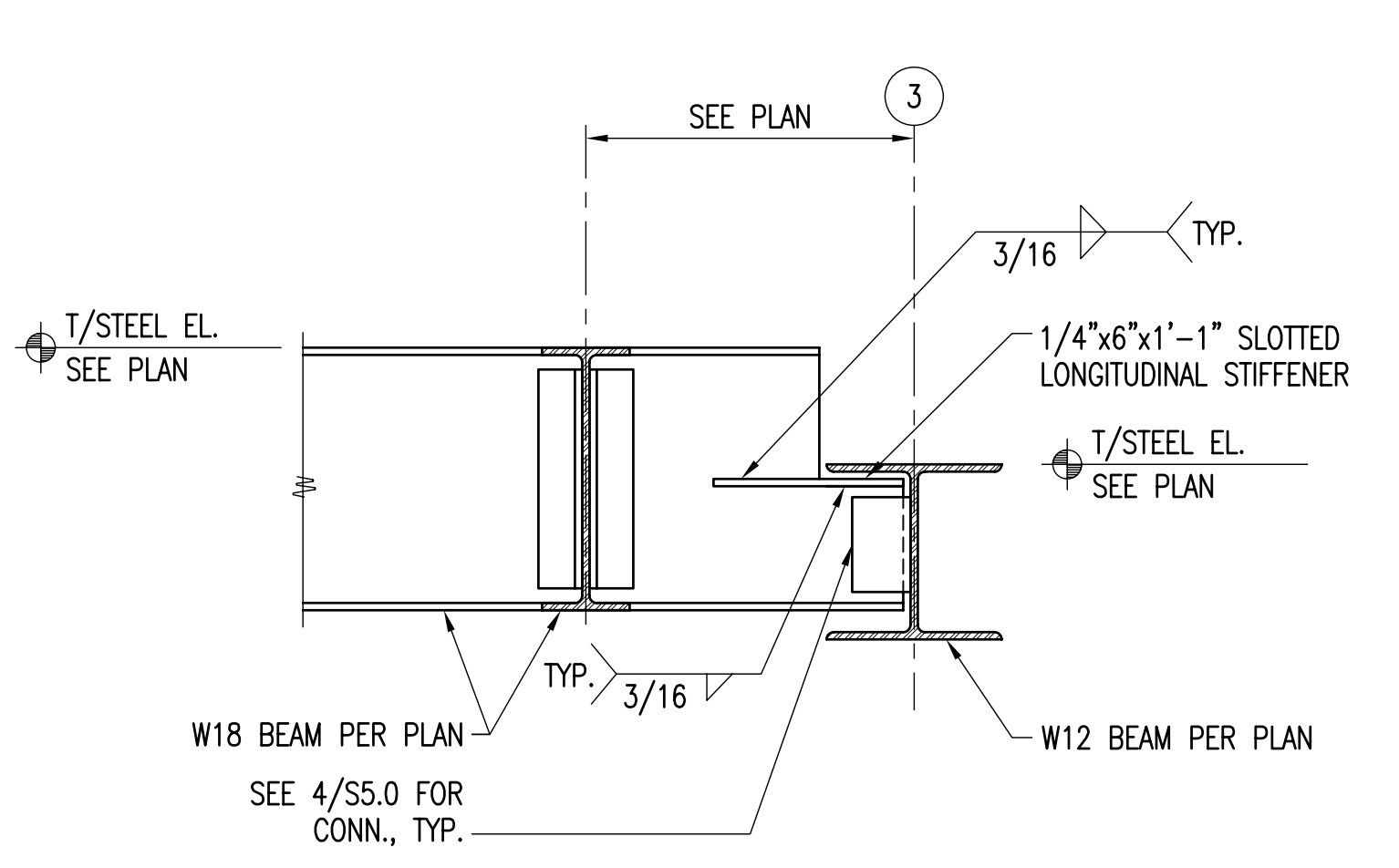
1 SECTION @ HIGH ROOF
S5.1 3/4"=1'-0"



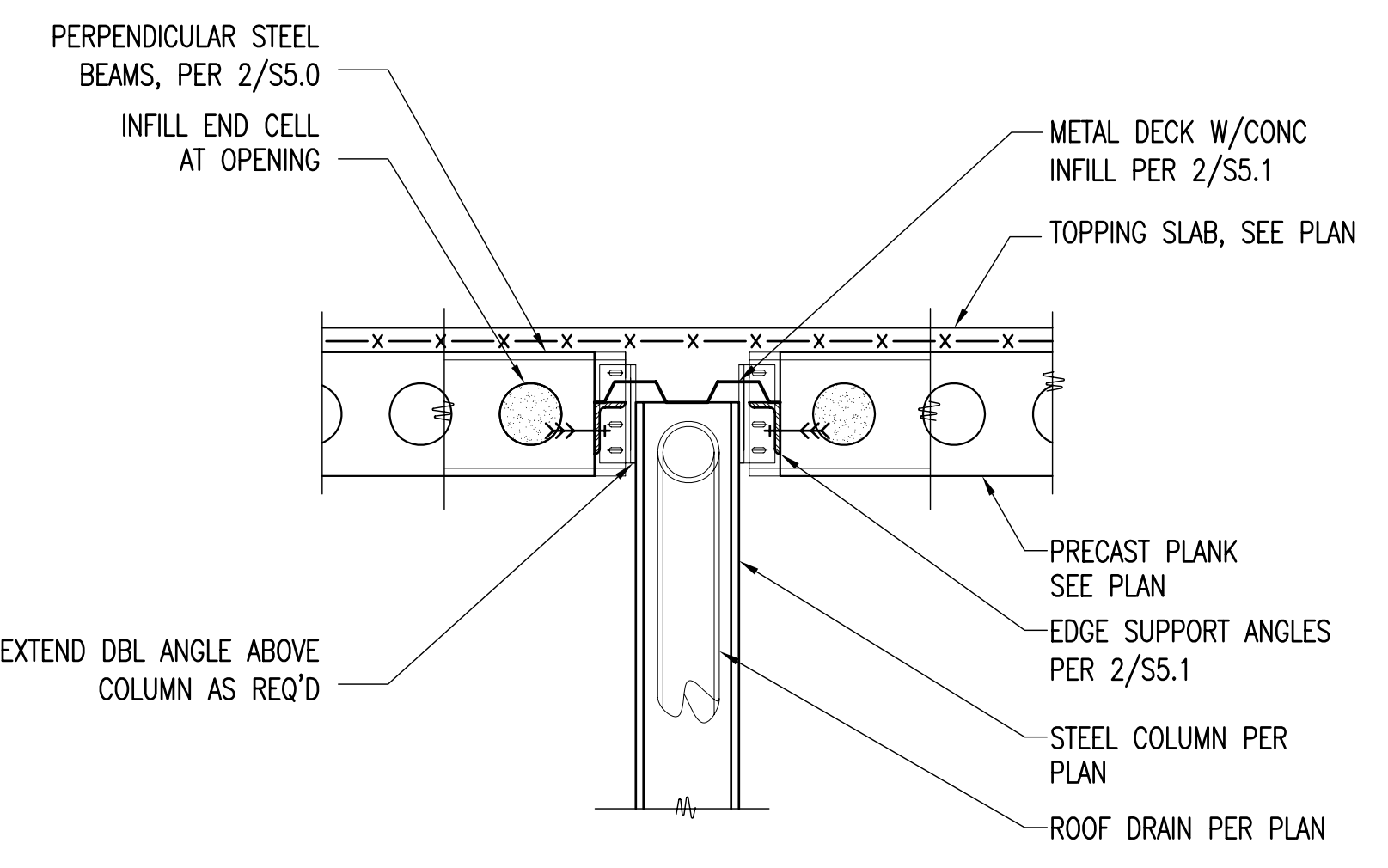
2 SECTION @ BLOCKOUT
S5.1 3/4"=1'-0"



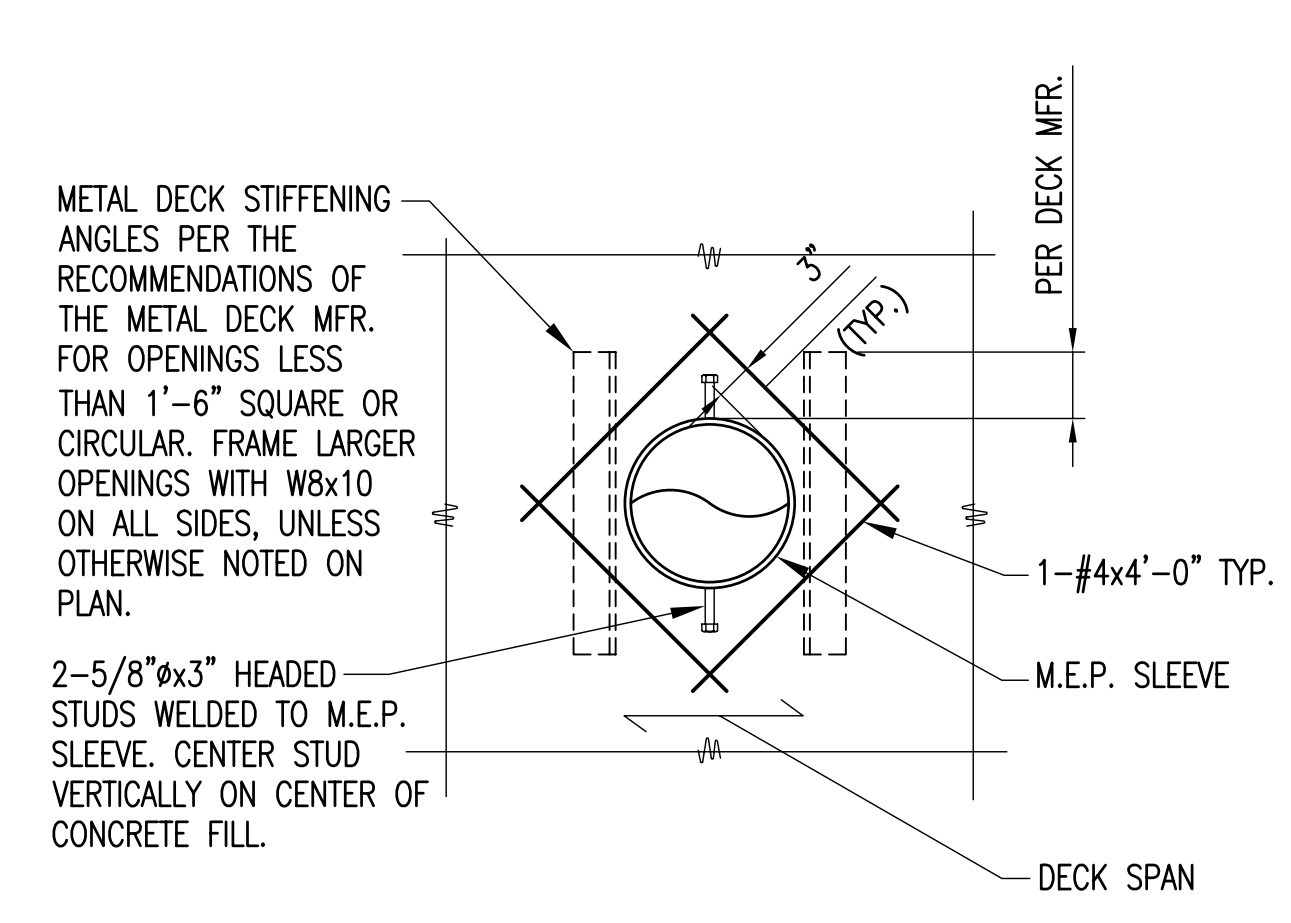
3 SECTION AT ROOF EDGE CANTILEVER
S5.1 3/4"=1'-0"



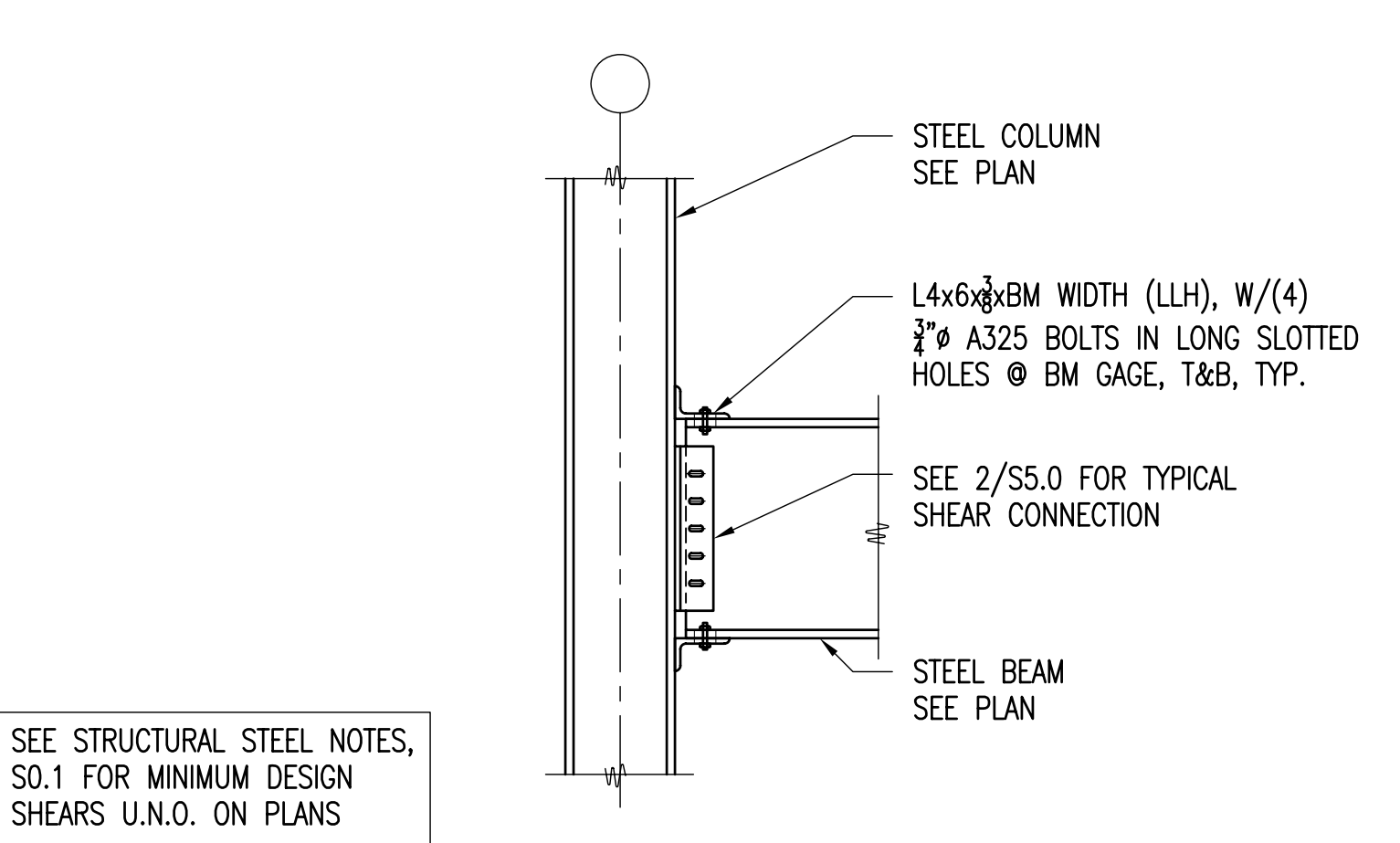
4 SECTION
S5.1 1"=1'-0"



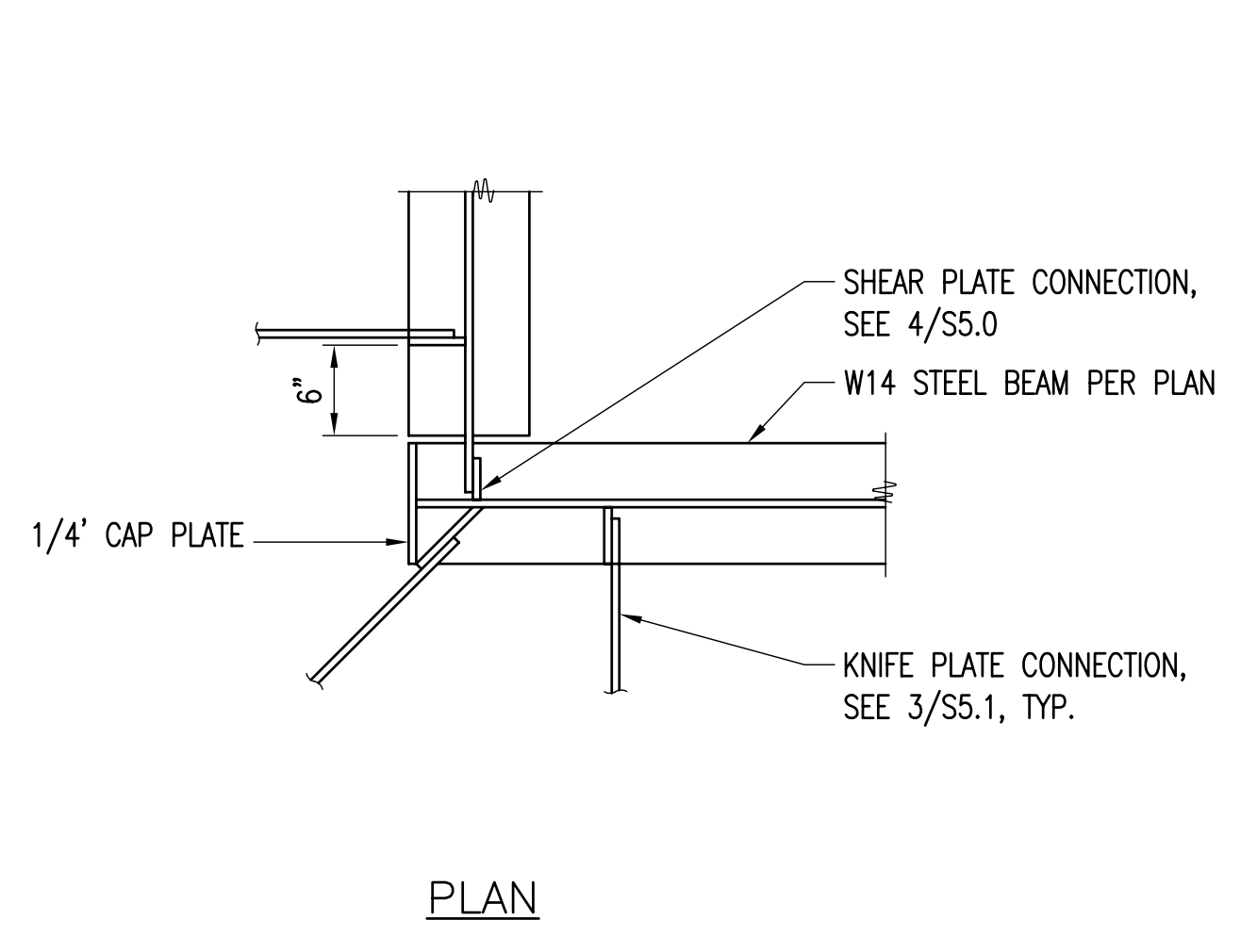
5 COLUMN BRACE @ BLOCKOUT
S5.1 3/4"=1'-0"



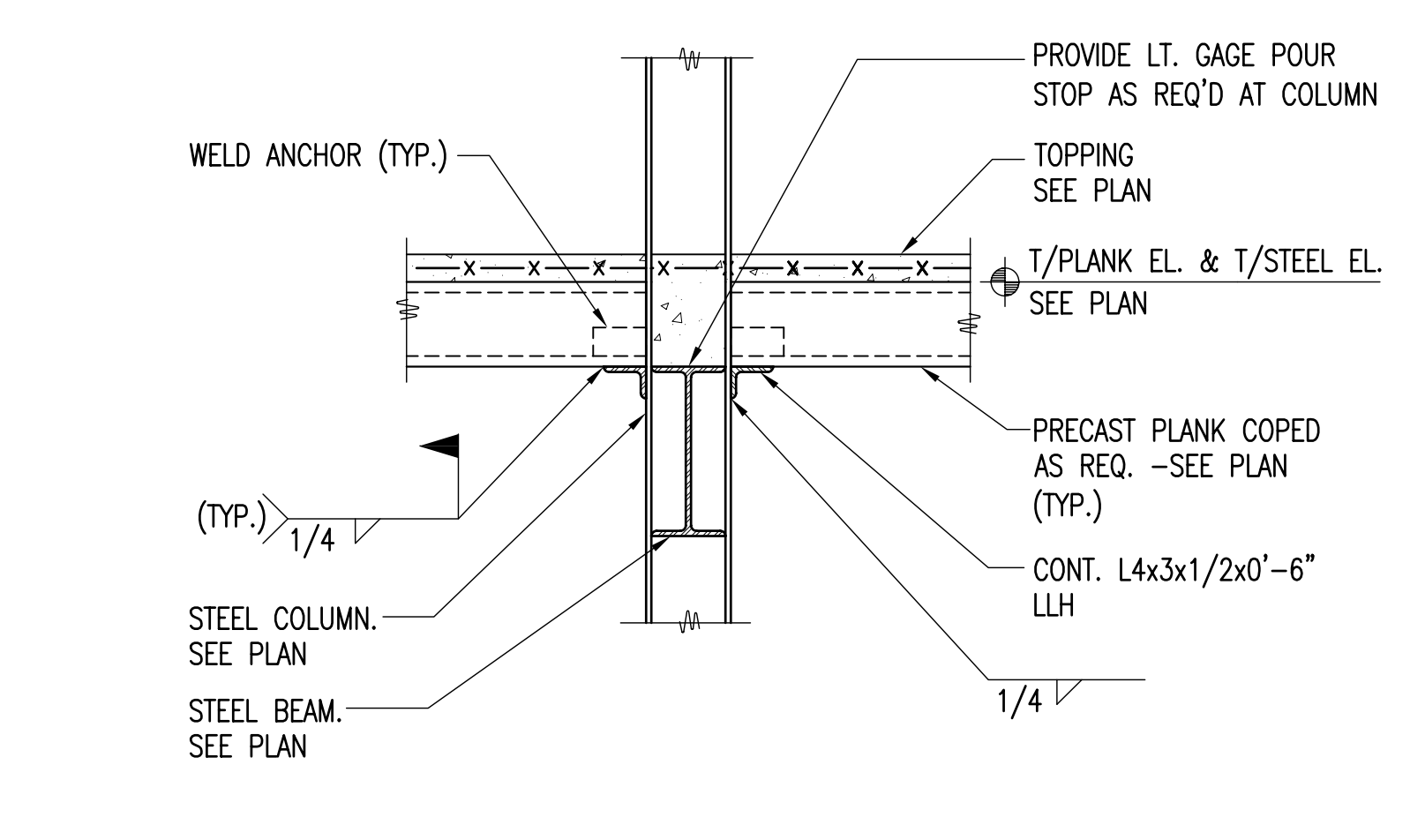
6 TYPICAL NON-COMPOSITE SLAB REINFORCEMENT AT M.E.P. SLEEVE
S5.1 3/4"=1'-0"



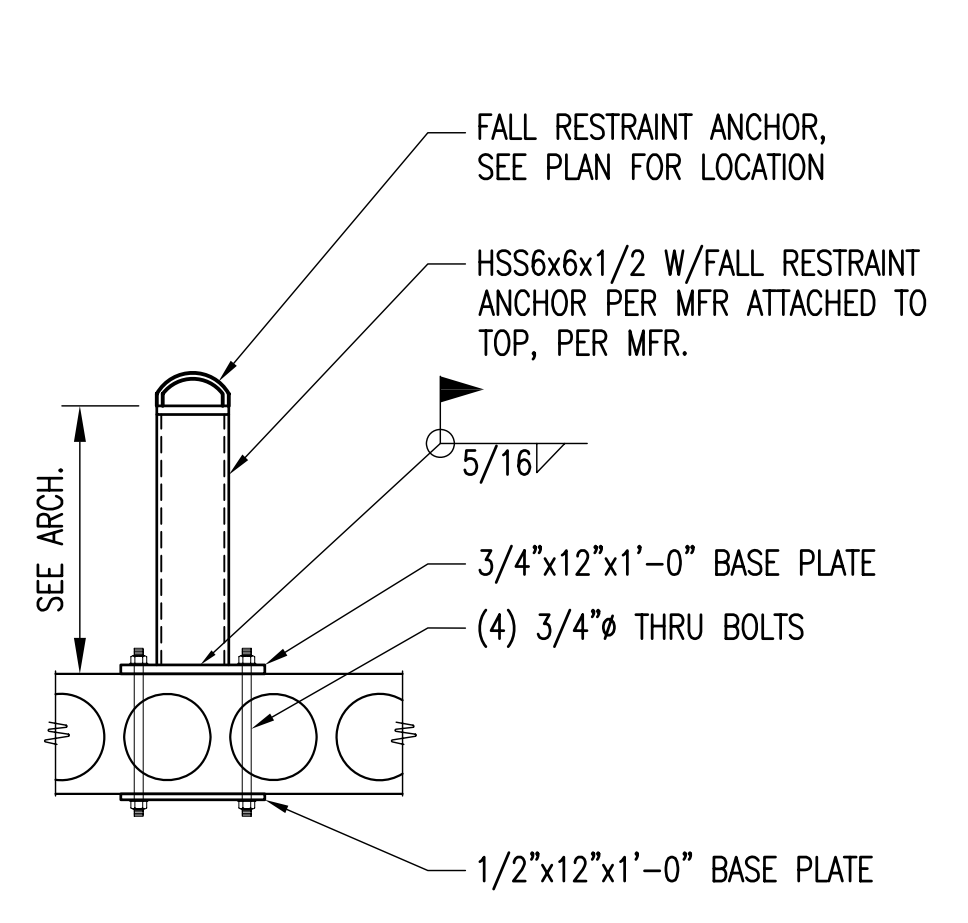
7 TYP. BEAM TO COL. FLANGE CONN. W/TORSION
S5.1 3/4"=1'-0"



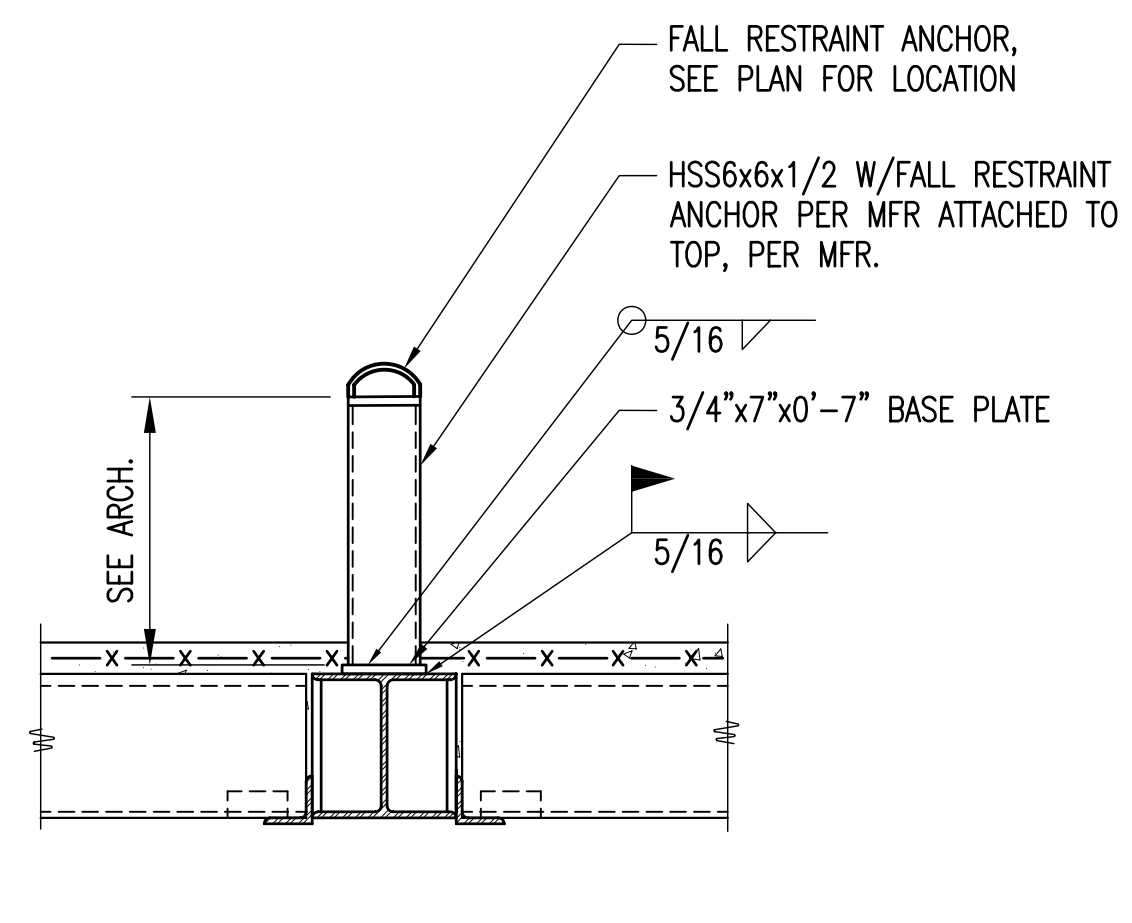
8 CORNER DETAIL @ ROOF CANOPY
S5.1 1"=1'-0"



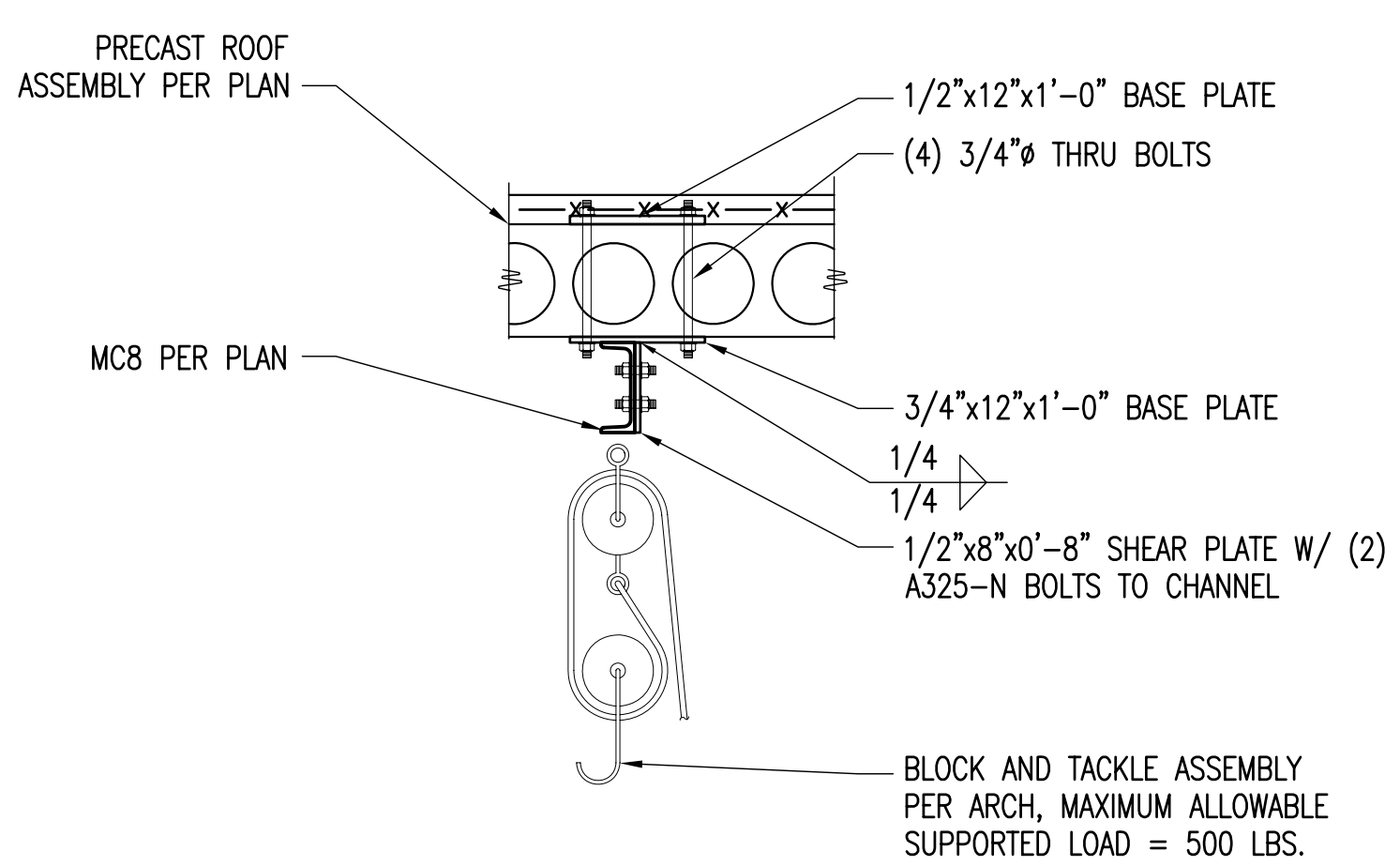
11 COLUMN BRACE DETAIL
S5.1 3/4"=1'-0"



12 FALL RESTRAINT ANCHOR ASSEMBLY AT PRECAST PLANK
S5.1 3/4"=1'-0"



13 FALL RESTRAINT ANCHOR ASSEMBLY AT STEEL BEAM
S5.1 3/4"=1'-0"



14 BLOCK AND TACKLE SUPPORT DETAIL
S5.1 3/4"=1'-0"

NOTE: PRECAST MFR. TO DESIGN PRECAST PLANK FOR A CONCENTRATE MOMENT OF 7.5 K-FT AT LOCATION SHOWN.

NOTE: SEE 11/S5.0 FOR REMAINDER

SEE STRUCTURAL STEEL NOTES, S0.1 FOR MINIMUM DESIGN SHEARS U.N.O. ON PLANS



**GREATER GRAND CROSSING
BRANCH LIBRARY**
1000 EAST 73RD STREET
CHICAGO, ILLINOIS 60619
CHICAGO PUBLIC LIBRARIES
CAPITAL PROGRAM NEW CONSTRUCTION
CITY OF CHICAGO, MAYOR RICHARD M. DALEY

ARCHITECTURE PLANNING INTERIORS
LOHAN ANDERSON
401 NORTH MICHIGAN AVE. SUITE 500
CHICAGO, IL 60611
TEL #: 312.988.7800 FAX #: 312.229.1232

Matrix Engineering Corp.
Chicago, Illinois
Structural Engineer
Henneman Engineering Inc
Chicago, Illinois
Mechanical Engineer
CCJM Engineers, Ltd.
Chicago, Illinois
Electrical, Plumbing, FP Engineer
Delta Engineering, Inc.
Chicago, Illinois
Civil Engineer
Bauer Latoza Studio
Chicago, Illinois
Landscape Architect
HJKessler Associates, Inc.
Chicago, Illinois
LEED Consultant

Mark	Description	Date
3	DESIGN DEVELOPMENT	4/15/09
4	60% CD DEVELOPMENT	5/29/09
5	PERMIT	7/01/09
6	BID	7/23/09
7	RE-ISSUE FOR BID	8/24/09
10	BID ADDENDUM 03	9/22/09

PBC Project Name: Greater Grand Crossing Branch Library
PBC Project No.: 08060
AOR Project No.: 08350
MEC Project No.: 08050.2

**PRECAST ROOF
DETAILS**

Sheet
S5.1