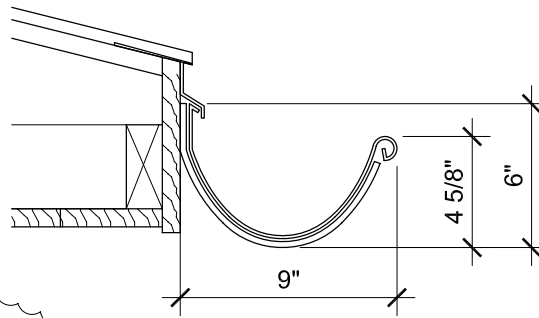


NOTE: CAD DRAWING AVAILABLE FROM ARCHITECT AT PRE-CONSTRUCTION MEETING.



4

MULLER+MULLER
architects

Muller+Muller, Ltd.
700 N Sangamon St
Chicago, IL 60642
v 312.432.4180
f 312.432.4184

PROJECT: CPD COMFORT STATIONS
(40TH STREET ONLY)
CONTRACT NO.: 1497
ISSUE: ADDENDUM 4
TITLE: ARCHITECTURAL SITE PLAN
COMMENTS: NEW DETAIL FOR REFERENCE
SCALE: 1 1/2" = 1'-0"

ISSUE DATE: 10.28.09

ASK-01

PAGE 1 OF 1